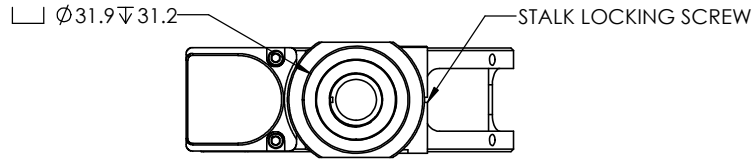


8 7 6 5 4 3 2 1

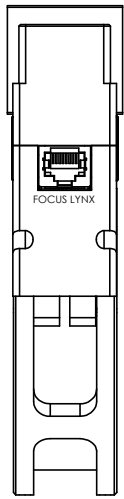
D

D



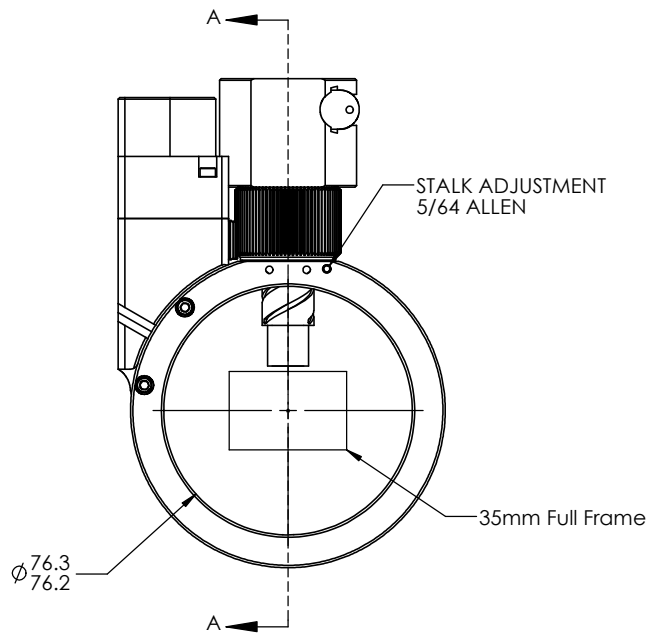
C

C



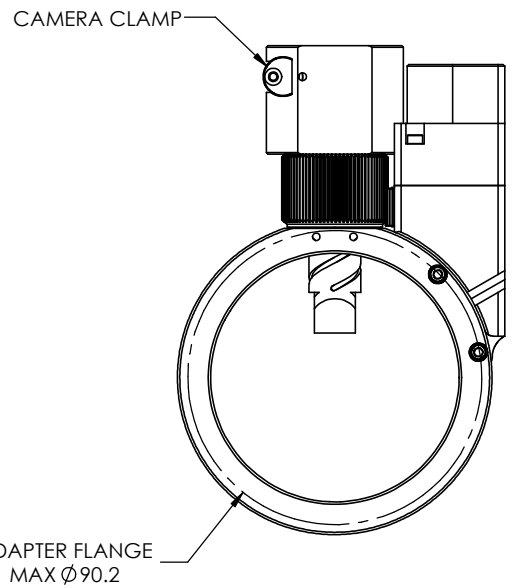
B

B



15.9 15.9

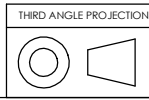
SECTION A-A



A

A

8 7 6 5 4 3 2 1



| | | | | |
|---|-----------|------|---------|---|
| UNLESS OTHERWISE SPECIFIED: DIMENSIONS ARE IN INCHES TWO PLACE DECIMAL ±.007 THREE PLACE DECIMAL ±.003 MATERIAL N/A FINISH SEE NOTES DO NOT SCALE DRAWING | DRAWN | NAME | DATE | Optec Inc. TITLE: OAG SIZE B DWG. NO. SCALE: 2:3 WEIGHT: SHEET 1 OF 1 |
| | CHECKED | LD | 1/17/19 | |
| | ENG APPR. | | | |
| | MFG APPR. | | | |
| | Q.A. | | | |
| | CONTRACT | | OAG | |