

8

7

6

5

4

3

2

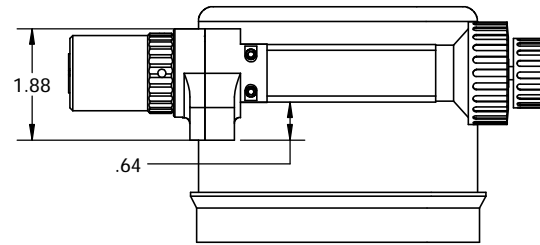
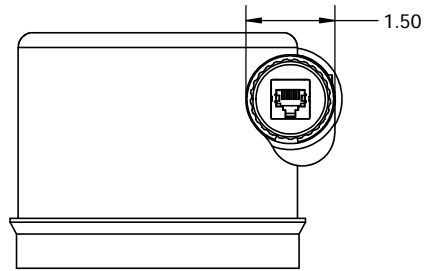
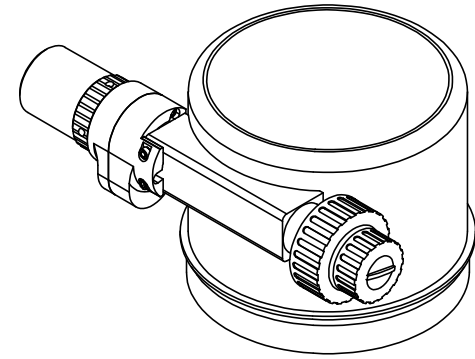
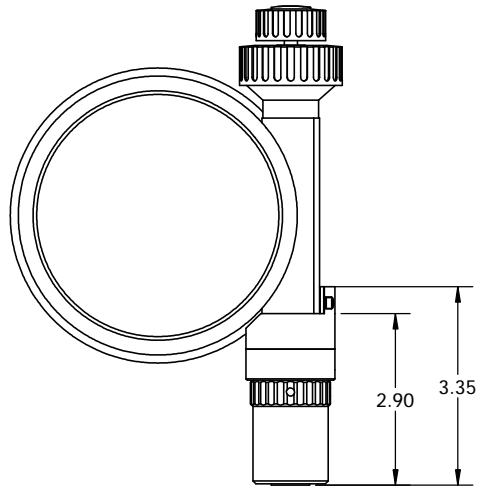
1

D

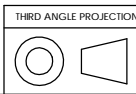
C

B

A



UNLESS OTHERWISE SPECIFIED: DIMENSIONS ARE IN INCHES TWO PLACE DECIMAL ±.007 THREE PLACE DECIMAL ±.003	DRAWN	NAME	DATE	<b>Optec Inc.</b>  TITLE:  DIRECT SYNC
	CHECKED	LD	5/30/14	
	ENG APPR.			
	MFG APPR.			
MATERIAL	N/A	CONTRACT		SIZE
FINISH	N/A	DIRECT SYNC		DWG. NO.
DO NOT SCALE DRAWING				<b>B</b>
				SCALE: 1:2
				WEIGHT:
				SHEET 1 OF 1



8

7

6

5

4

3

2

1