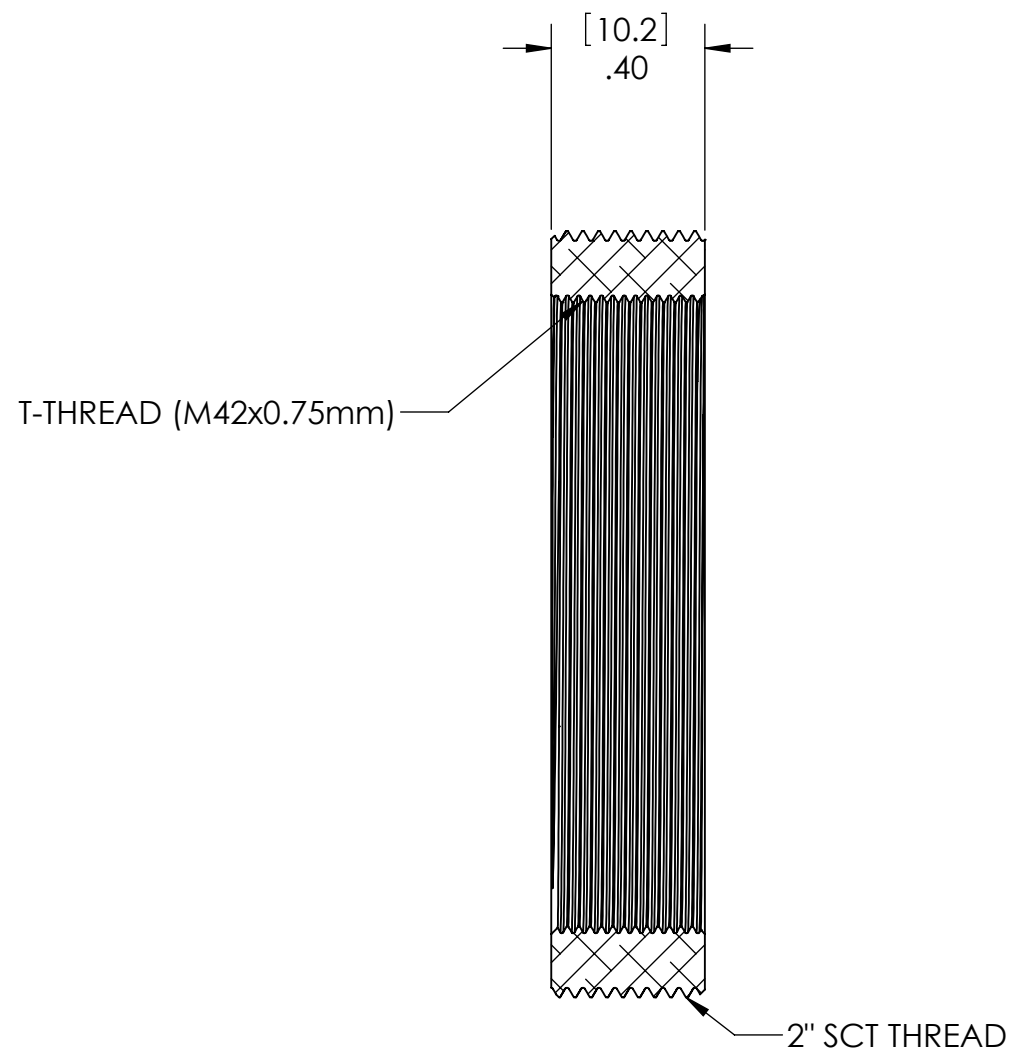
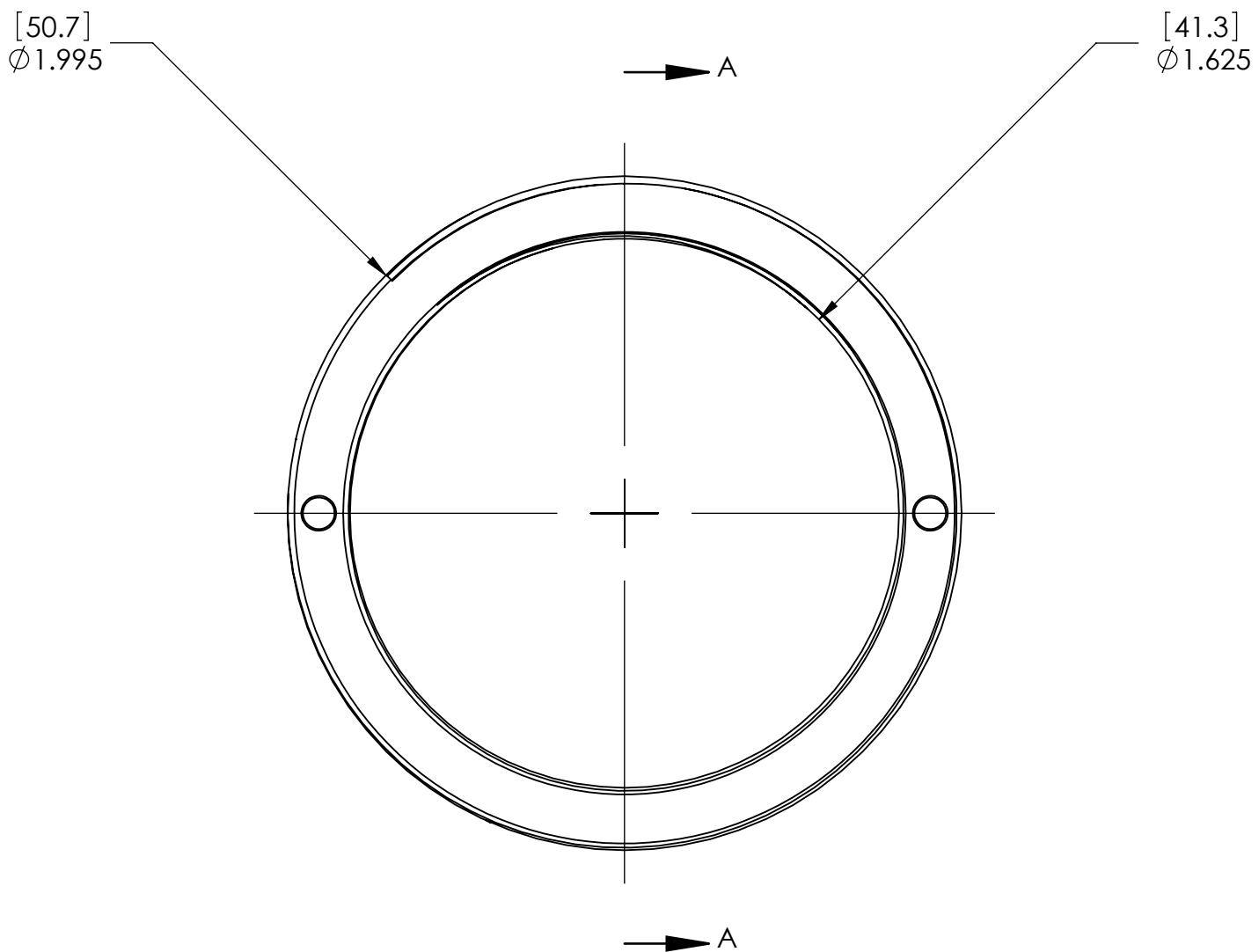


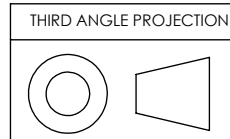
PN 5153
 STK NO. 19850



SECTION A-A



UNLESS OTHERWISE SPECIFIED: DIMENSIONS ARE IN INCHES TOLERANCES: FRACTIONAL ± ANGULAR: MACH ± BEND ± TWO PLACE DECIMAL ±.007 THREE PLACE DECIMAL ±.003	DRAWN	NAME	DATE	Optec Inc.	
	CHECKED	LD	11/02/10		
	ENG APPR.				
	MFG APPR.				
				TITLE:	
				FEMALE T-THREAD TO MALE SCT THREAD	
				CONTRACT	
				MISC ADAPTERS	
				SIZE	DWG. NO.
				B	19-06791
				SCALE: 2:1	WEIGHT:
					SHEET 1 OF 1



MATERIAL 6061-T6
 FINISH SEE NOTES
 DO NOT SCALE DRAWING