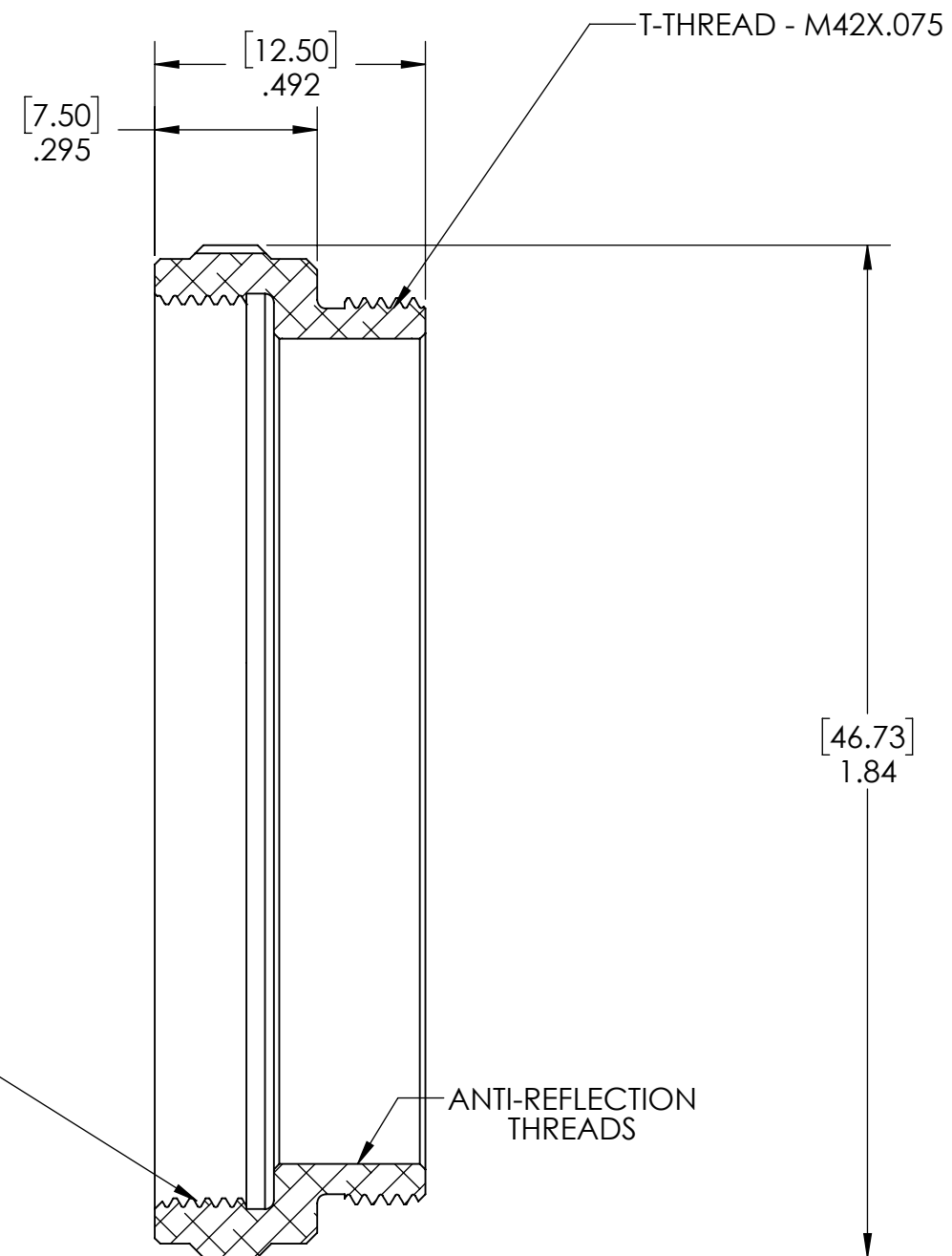
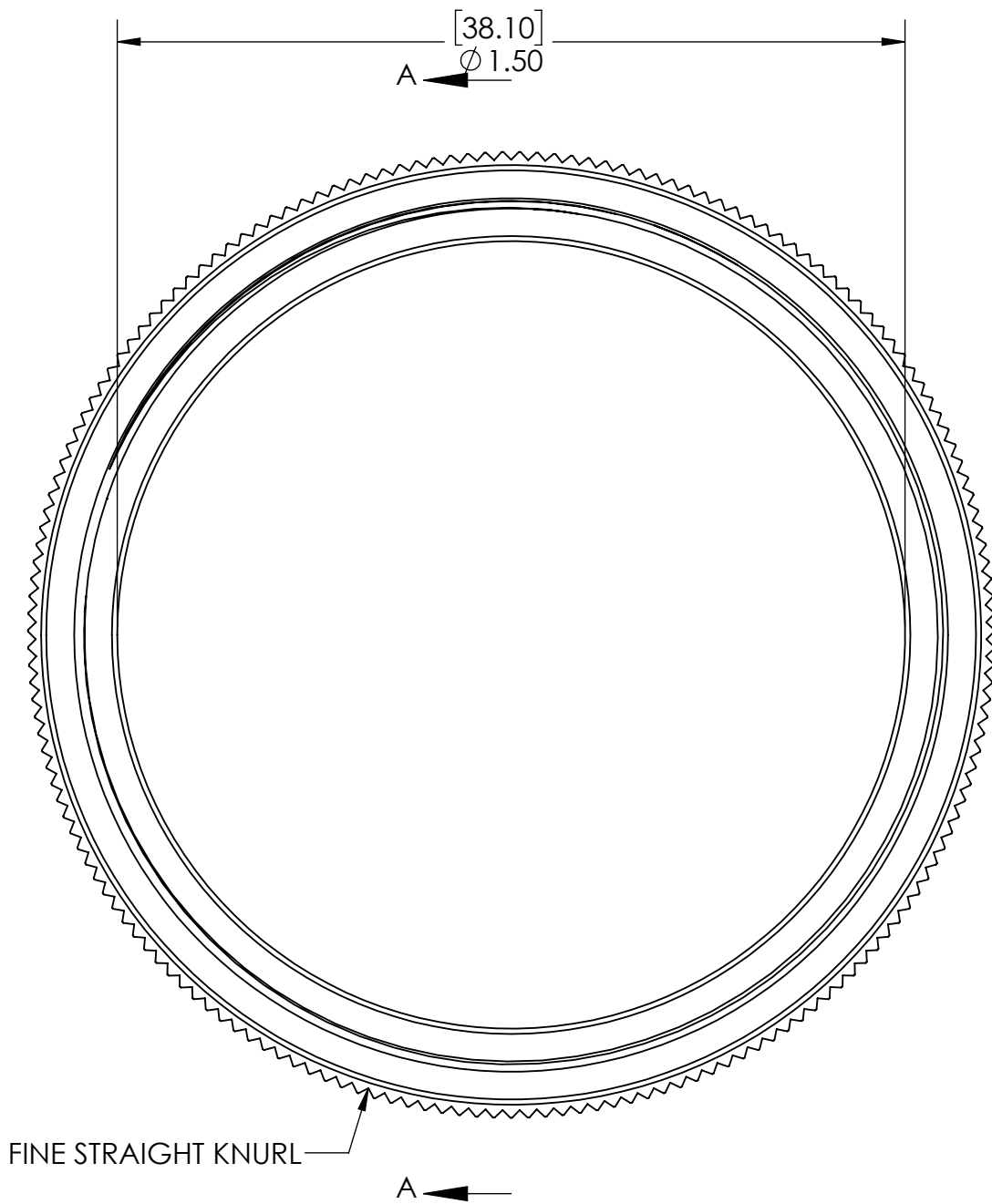


PN 5467
STK NO 19632



T-THREAD - M42X.075

THIRD ANGLE PROJECTION



UNLESS OTHERWISE SPECIFIED: DIMENSIONS ARE IN INCHES TWO PLACE DECIMAL ±.007 THREE PLACE DECIMAL ±.003	DRAWN	NAME	DATE	Optec Inc.
	CHECKED	LD	1/29/14	
	ENG APPR.			
	MFG APPR.			
MATERIAL	CONTRACT			TITLE:
6061-T6	MISC ADAPTERS			T-THREAD SPACER, 7.5mm
FINISH	SEE NOTES	SIZE	DWG. NO.	
DO NOT SCALE DRAWING		B	19-06795	
		SCALE: 3:1	WEIGHT:	SHEET 1 OF 1