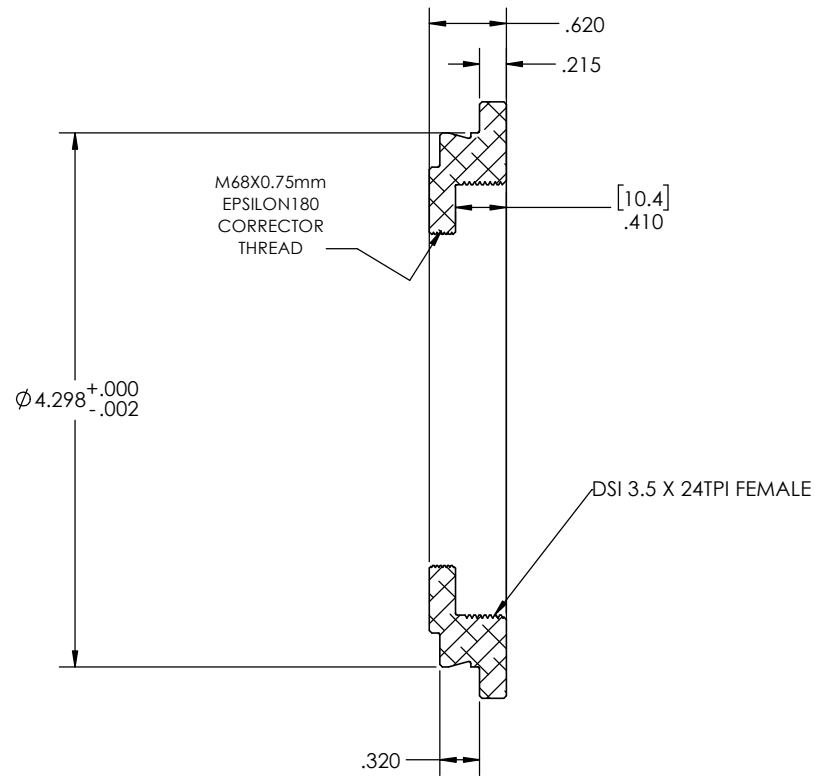
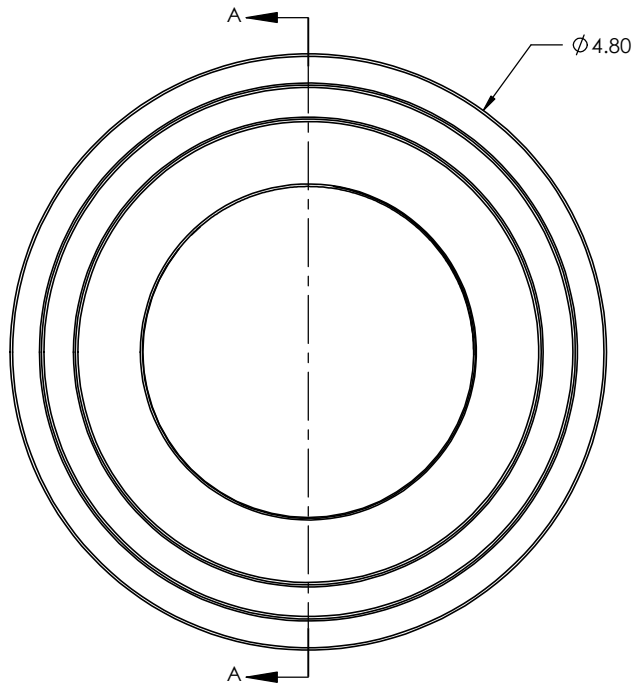


STK NO 19844



UNLESS OTHERWISE SPECIFIED:		NAME	DATE	Optec Inc.	
DIMENSIONS ARE IN INCHES		DRAWN	LD		9/4/15
TOLERANCES:		CHECKED			
FRACTIONAL ±		ENG APPR.			
ANGULAR: MACH ± BEND ±		MFG APPR.			
TWO PLACE DECIMAL ±.007		Q.A.			
THREE PLACE DECIMAL ±.003		CONTRACT		TITLE:	
MATERIAL		OPTEC 4300		OPTEC 4300 TO EPSILON 180ED CORRECTOR	
FINISH				SIZE DWG. NO.	
DO NOT SCALE DRAWING				B 19-13008	
				SCALE: 1:1 WEIGHT: SHEET 1 OF 1	

