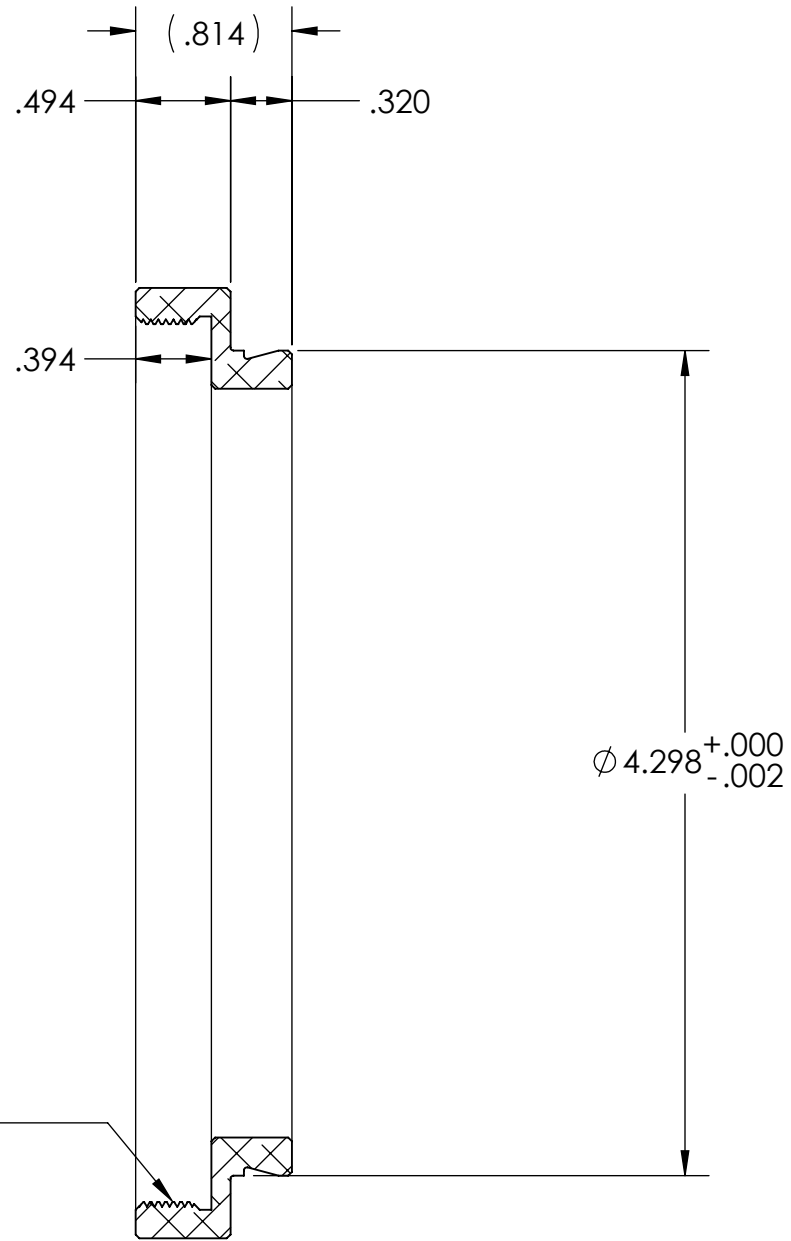


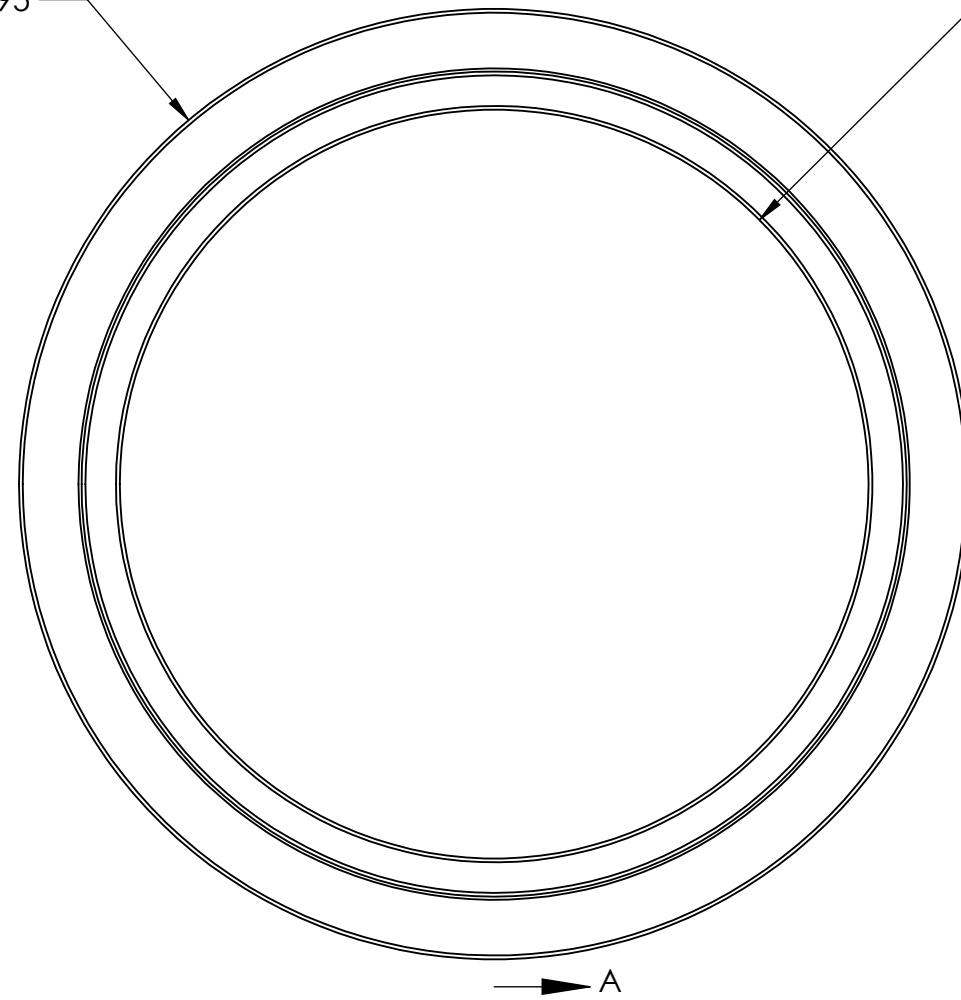
STK NO 19841



$\phi 4.298^{+.000}_{-.002}$

$\phi 4.95$

$\phi 3.90$



UNLESS OTHERWISE SPECIFIED: DIMENSIONS ARE IN INCHES TOLERANCES: FRACTIONAL \pm ANGULAR: MACH \pm BEND \pm TWO PLACE DECIMAL $\pm .007$ THREE PLACE DECIMAL $\pm .003$	DRAWN	NAME	DATE	Optec Inc. TITLE: M117x1mm TO OPTEC 4300	
	CHECKED	LD	05/24/11		
	ENG APPR.				
	MFG APPR.				
	Q.A.				
THIRD ANGLE PROJECTION 	MATERIAL	CONTRACT OPTEC 4300		SIZE	DWG. NO.
FINISH	6061-T6			B	17-06723
DO NOT SCALE DRAWING	SEE NOTES				
		SCALE: 1:1	WEIGHT:	SHEET 1 OF 1	