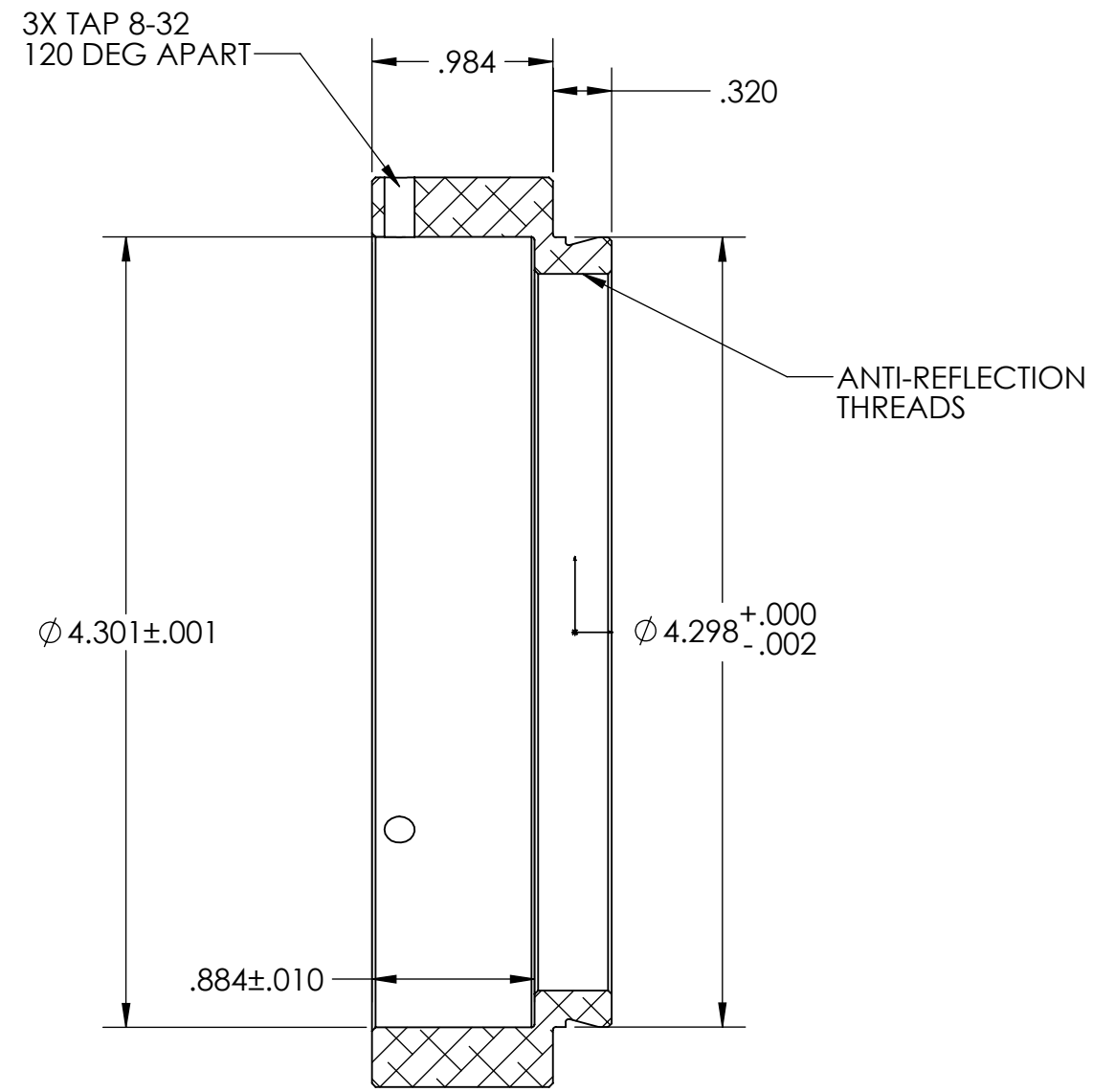
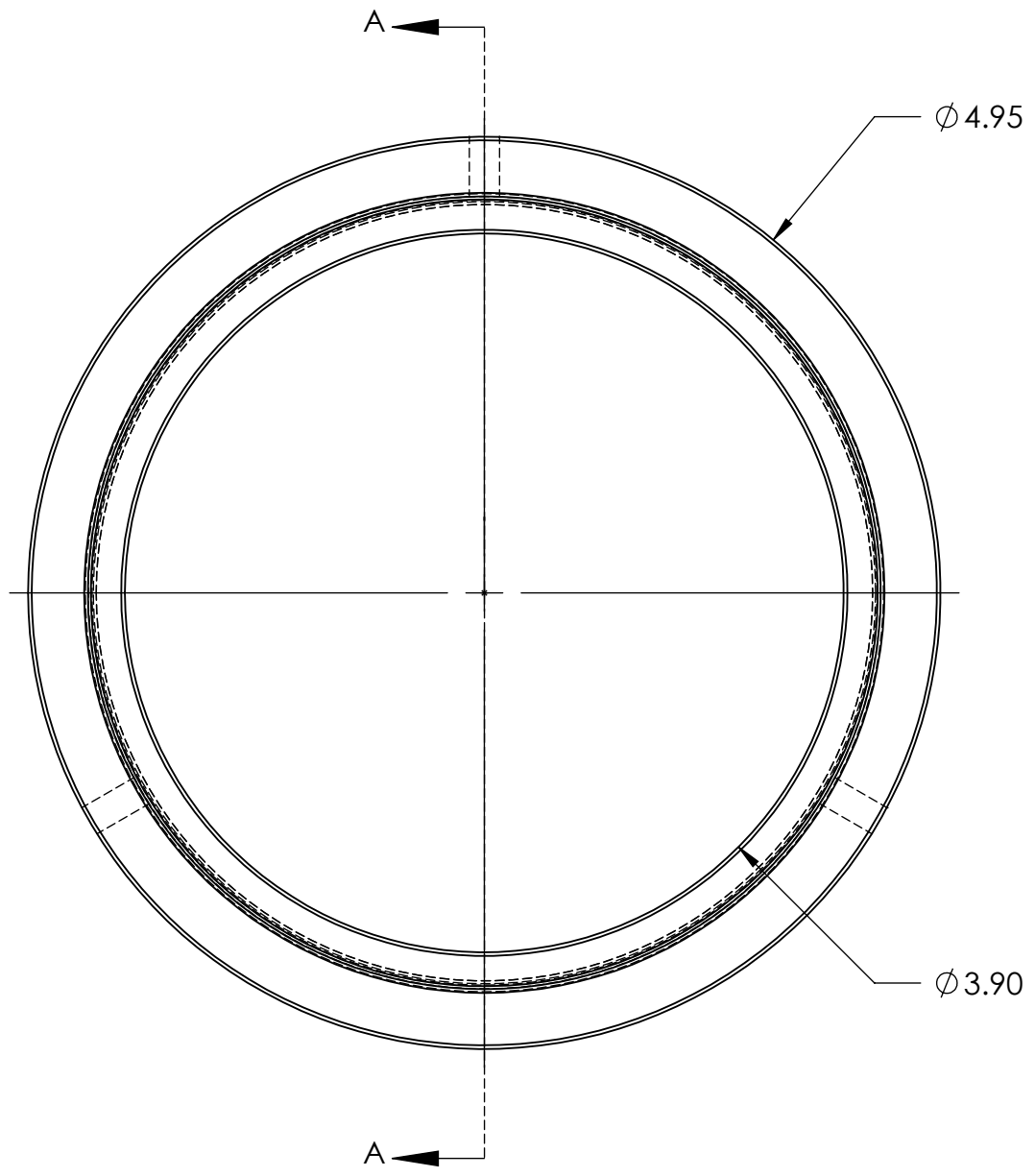
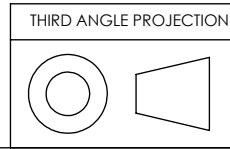


STK. NO. 19839



SECTION A-A



UNLESS OTHERWISE SPECIFIED: DIMENSIONS ARE IN INCHES TWO PLACE DECIMAL ±.007 THREE PLACE DECIMAL ±.003	DRAWN	NAME	DATE	<b>Optec Inc.</b> TITLE: 25mm EXTENDER
	CHECKED			
	ENG APPR.			
	MFG APPR.			
MATERIAL	6061-T6	CONTRACT		SIZE DWG. NO. <b>B</b> 19-13010
FINISH	SEE NOTES	OPTEC-4300		
DO NOT SCALE DRAWING		SCALE: 1:1	WEIGHT:	SHEET 1 OF 1