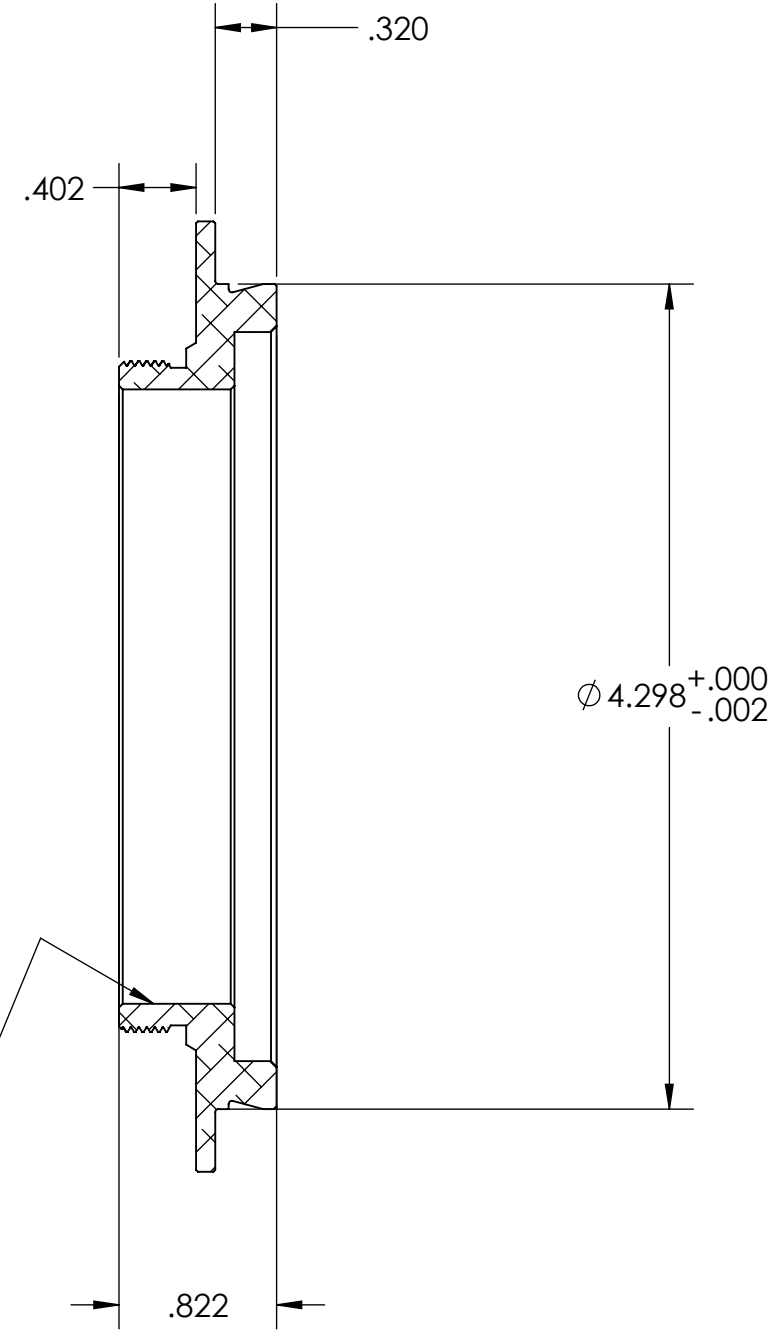
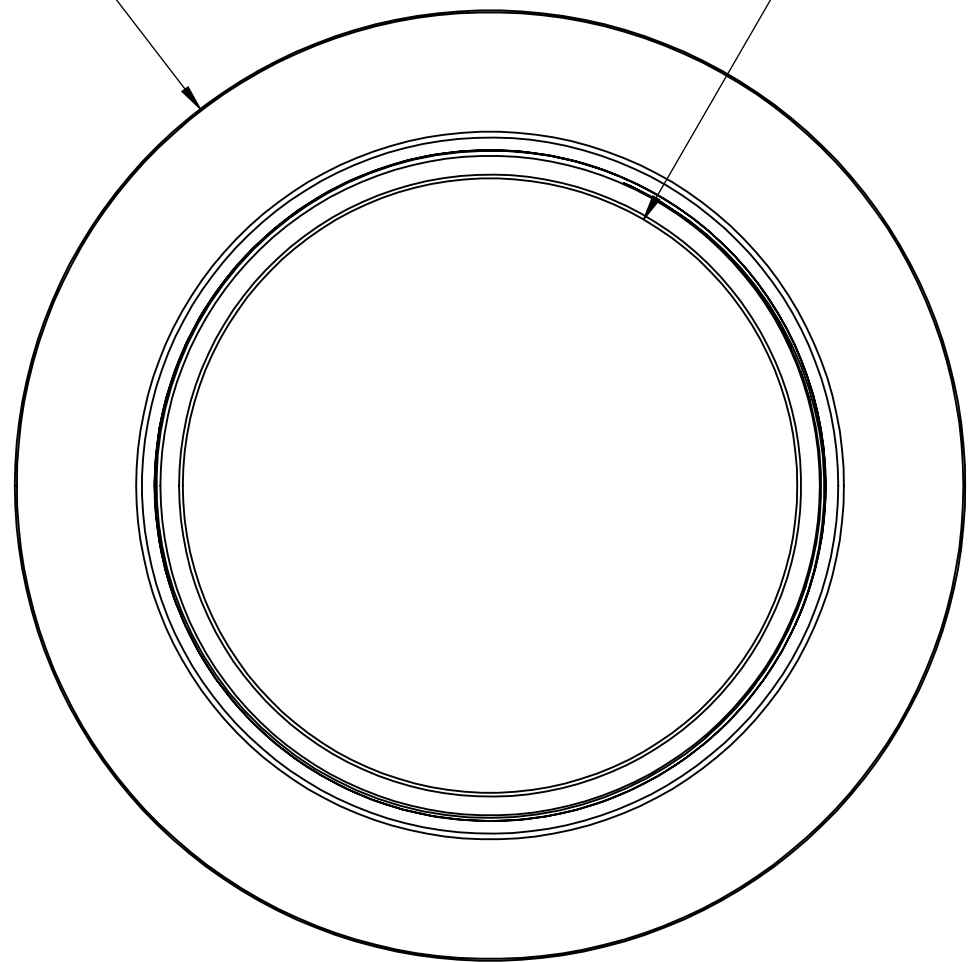


STK NO 19831

Ø 4.95      Ø 3.20



ANTI-REFLECTION THREAD

UNLESS OTHERWISE SPECIFIED: DIMENSIONS ARE IN INCHES TWO PLACE DECIMAL ±.007 THREE PLACE DECIMAL ±.003	DRAWN	NAME	DATE	<b>Optec Inc.</b>
	CHECKED	LD	4/17/15	
	ENG APPR.			
	MFG APPR.			
MATERIAL	CONTRACT			TITLE:
6061-T6	OPTEC 4300			MALE DSI 3.5 TO OPTEC 4300
FINISH	Q.A.			SIZE DWG. NO.
SEE NOTES	OPTEC 4300			<b>B</b> 19-13002
DO NOT SCALE DRAWING	SCALE: 1:1			WEIGHT: SHEET 1 OF 1

