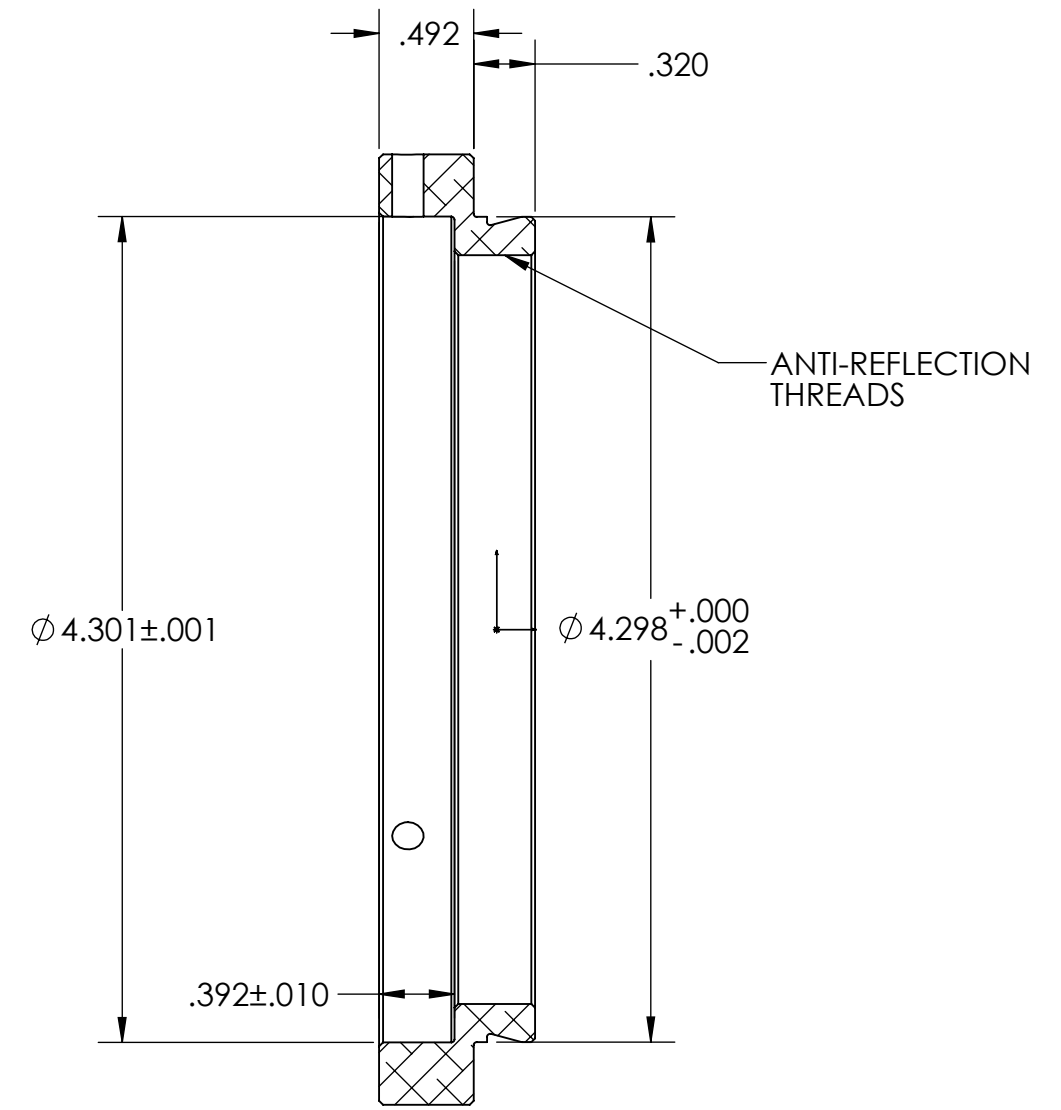
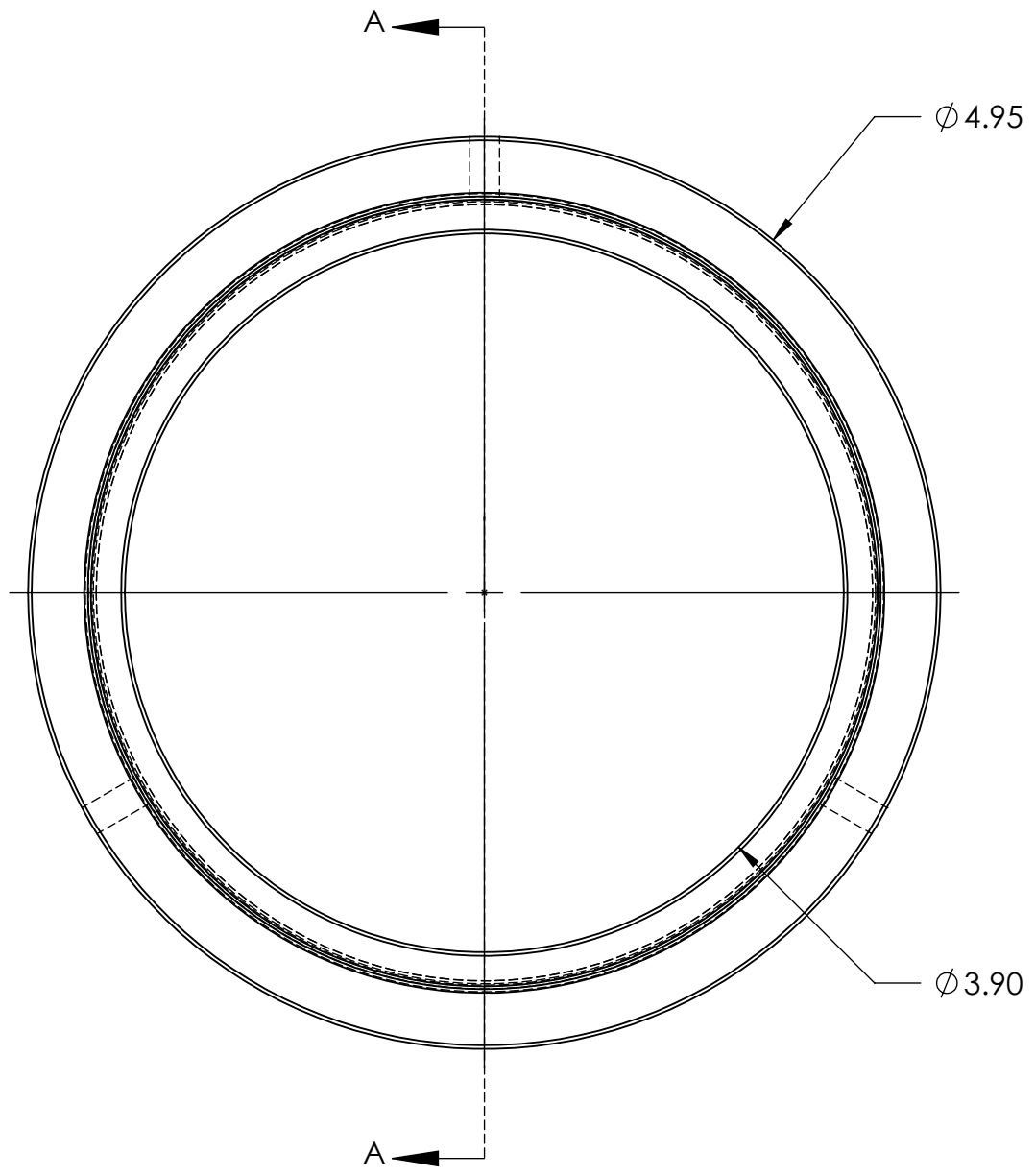
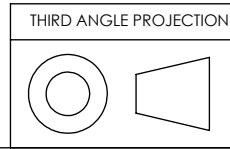


STK. NO. 19829



SECTION A-A



UNLESS OTHERWISE SPECIFIED: DIMENSIONS ARE IN INCHES TWO PLACE DECIMAL ±.007 THREE PLACE DECIMAL ±.003	DRAWN	NAME	DATE	Optec Inc. TITLE: 12.5mm EXTENDER
	CHECKED	LD	1/15/16	
	ENG APPR.			
	MFG APPR.			
MATERIAL	6061-T6	CONTRACT		SIZE DWG. NO. B 19-13011
FINISH	SEE NOTES	OPTEC-4300		
DO NOT SCALE DRAWING		SCALE: 1:1	WEIGHT:	SHEET 1 OF 1