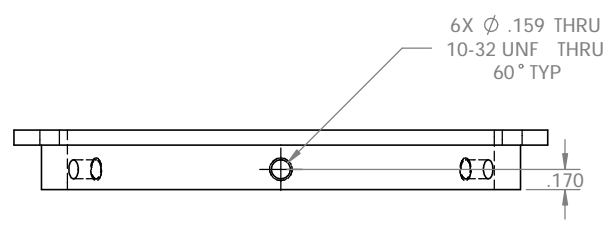


8 7 6 5 4 3 2 1

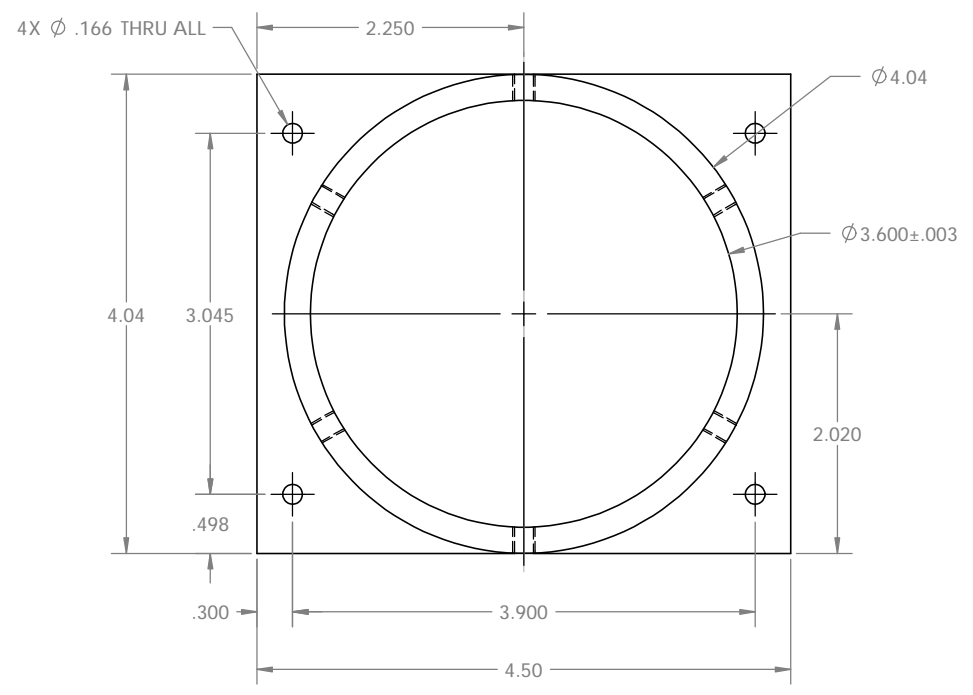
D

D



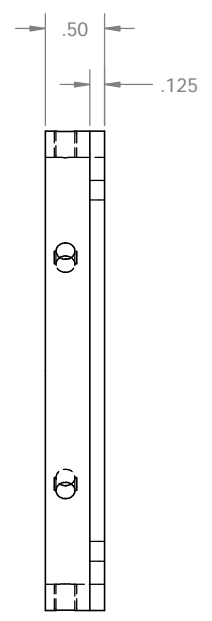
C

C



B

B

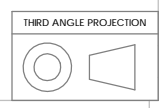


A

A

8 7 6 5 4 3 2 1

UNLESS OTHERWISE SPECIFIED: DIMENSIONS ARE IN INCHES TOLERANCES: FRACTIONAL ± ANGULAR: MACH ± BEND ± TWO PLACE DECIMAL ±.007 THREE PLACE DECIMAL ±.003	DRAWN	NAME	DATE	Optec, Inc.	
	CHECKED				TITLE:
	ENG APPR.				OPTEC-3600 RECEIVER
	MFG APPR.				
	Q.A.				
MATERIAL	CONTRACT			SIZE	
FINISH				DWG. NO.	
DO NOT SCALE DRAWING					
	SCALE: 1:1	WEIGHT:	SHEET 1 OF 1		



THIRD ANGLE PROJECTION
MATERIAL: 6061-T6
FINISH: FROSTKOTE BRIGHT
DIP BLACK
DO NOT SCALE DRAWING