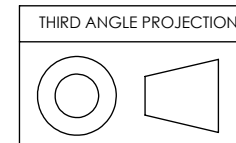
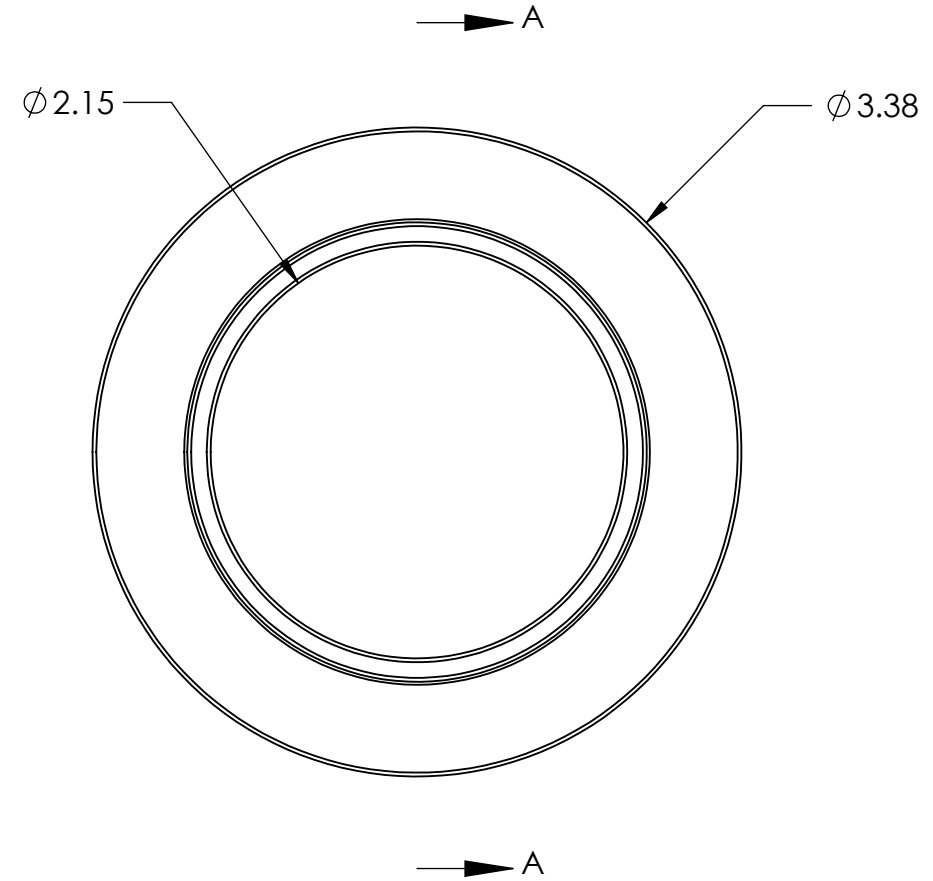
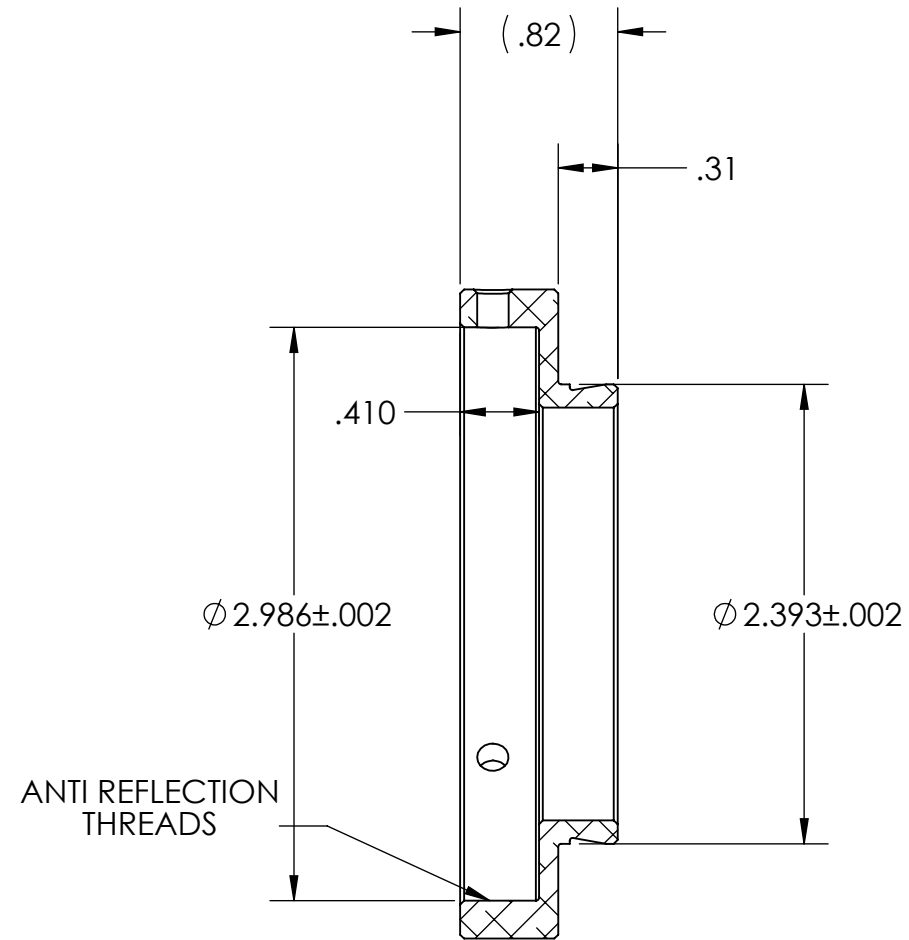
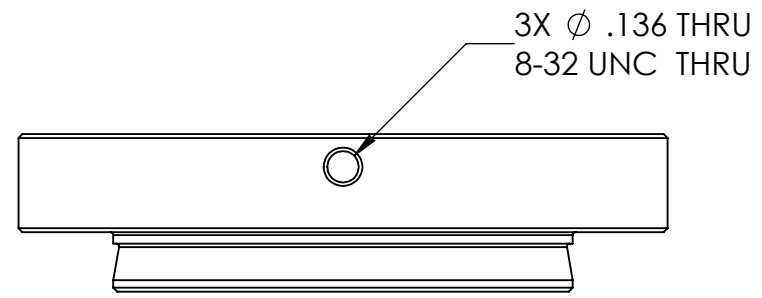


STK. NO. 19668



UNLESS OTHERWISE SPECIFIED: DIMENSIONS ARE IN INCHES TOLERANCES: FRACTIONAL ± ANGULAR: MACH ± BEND ± TWO PLACE DECIMAL ±.007 THREE PLACE DECIMAL ±.003	DRAWN	NAME	DATE	Optec Inc.
	CHECKED	LD	7/31/2013	
	ENG APPR.			
	MFG APPR.			
MATERIAL	6061-T6	CONTRACT		TITLE: WO98FLT TO OPTEC 2400
FINISH	SEE NOTES	OPTEC-2400		
DO NOT SCALE DRAWING		SIZE	DWG. NO.	
		B	17-06340	
		SCALE: 1:1	WEIGHT:	SHEET 1 OF 1