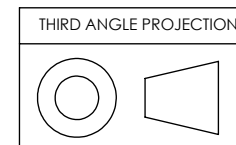
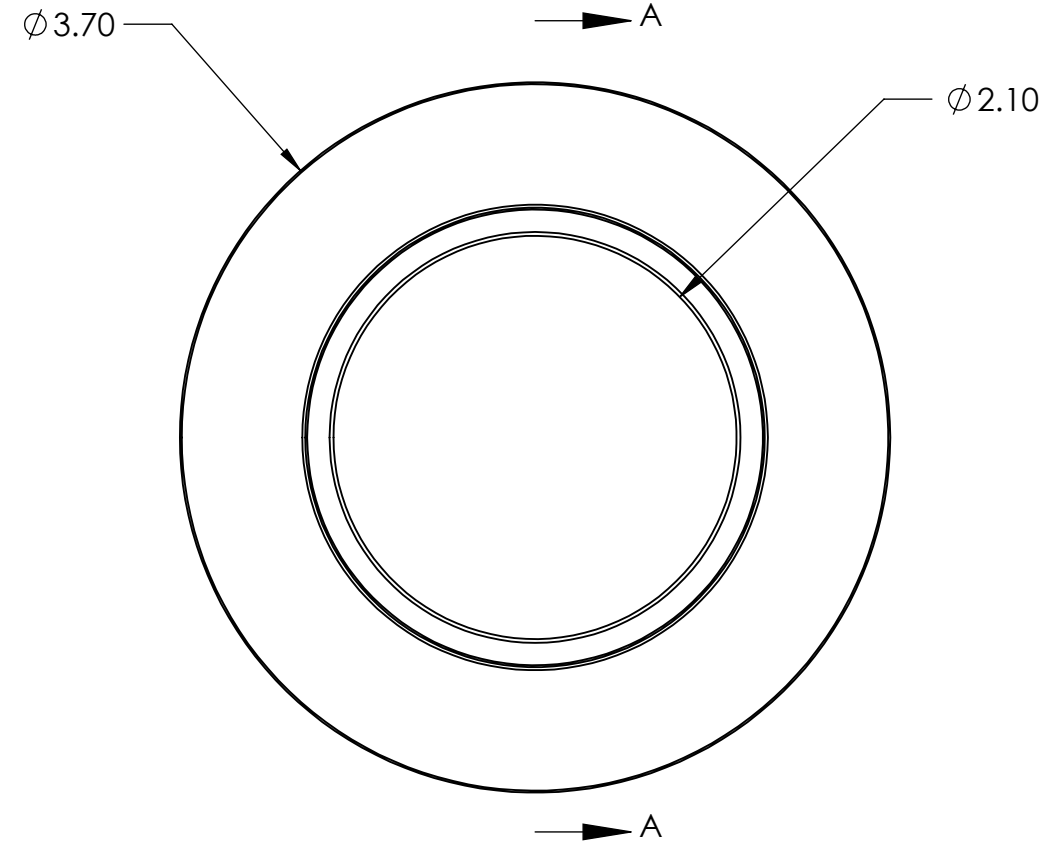
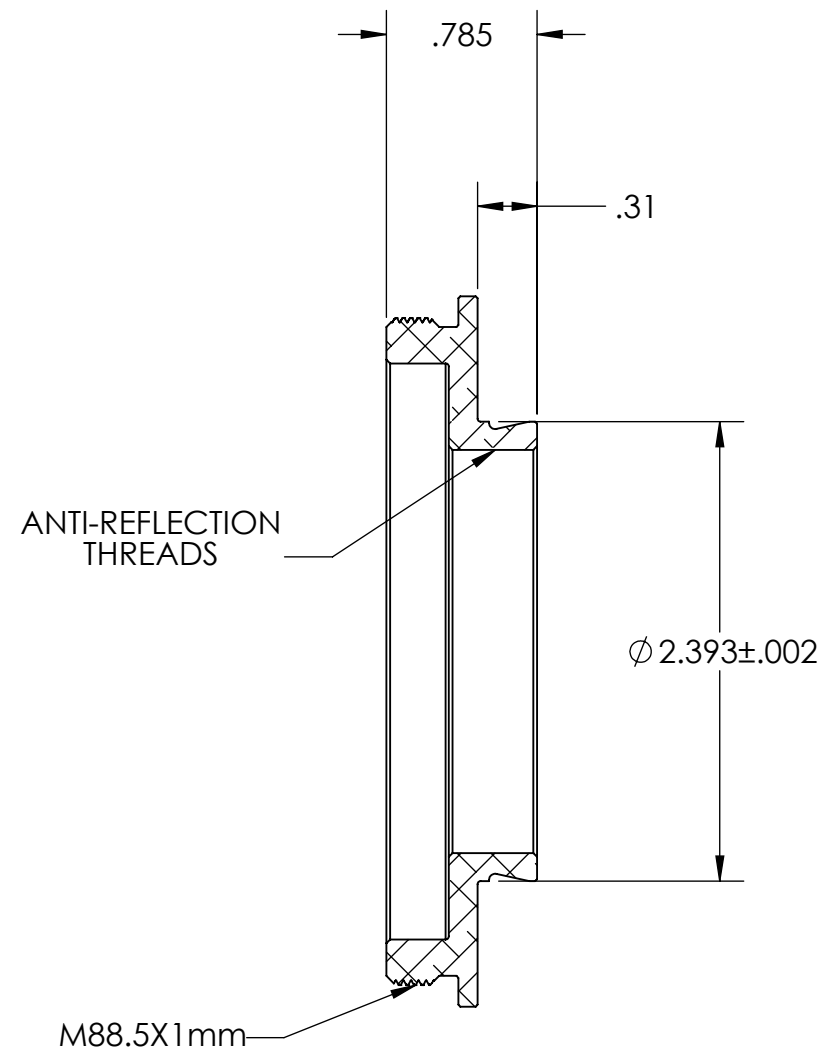


STK NO 19666



UNLESS OTHERWISE SPECIFIED: DIMENSIONS ARE IN INCHES TWO PLACE DECIMAL $\pm .007$ THREE PLACE DECIMAL $\pm .003$	DRAWN	NAME	DATE	<b>Optec Inc.</b>
	CHECKED	LD	11/18/14	
	ENG APPR.			
	MFG APPR.			
MATERIAL	CONTRACT			TITLE:
6061-T6	OPTEC-2400			OPTEC 2400 TO STELLARVUE
FINISH	SEE NOTES			SIZE DWG. NO.
DO NOT SCALE DRAWING				<b>B</b> 19-06783
	SCALE: 1:1	WEIGHT:	SHEET 1 OF 1	