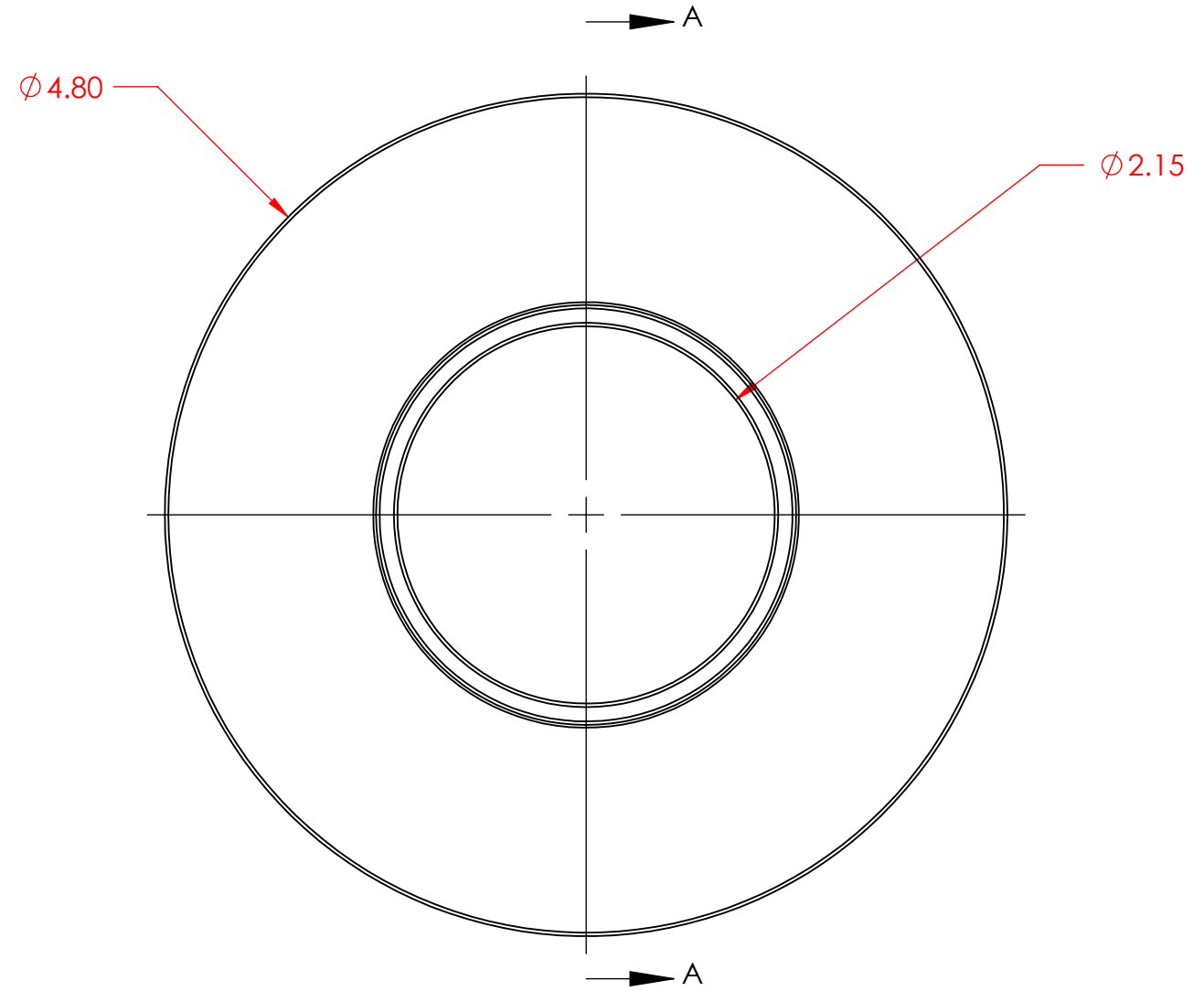
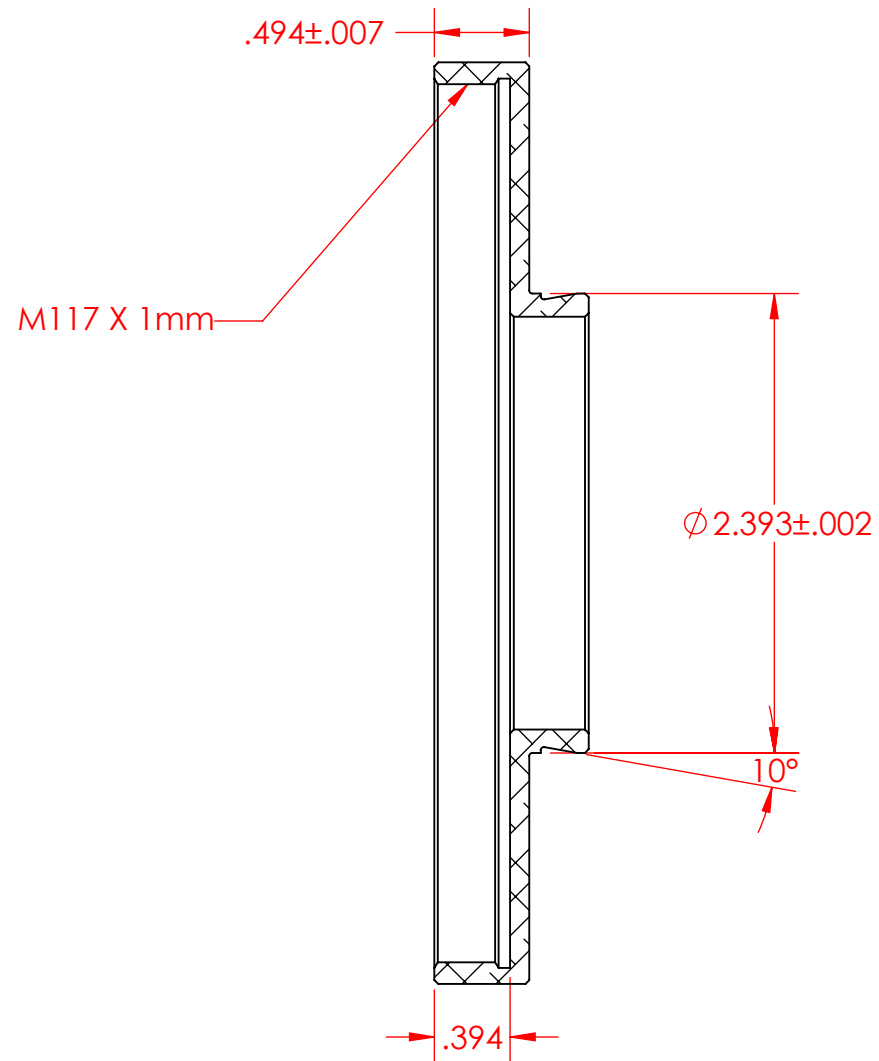


PN 5052
STK NO 19665



UNLESS OTHERWISE SPECIFIED: DIMENSIONS ARE IN INCHES TOLERANCES: FRACTIONAL \pm ANGULAR: MACH \pm BEND \pm TWO PLACE DECIMAL $\pm .007$ THREE PLACE DECIMAL $\pm .003$	DRAWN	NAME	DATE	Optec Inc.
	CHECKED	LD	04/01/10	
	ENG APPR.			
	MFG APPR.			
MATERIAL	CONTRACT			TITLE:
FINISH	OPTEC-2400			M117 X 1mm TO OPTEC-2400
DO NOT SCALE DRAWING				SIZE DWG. NO.
				B 17-06881
				SCALE: 1:1 WEIGHT: SHEET 1 OF 1

