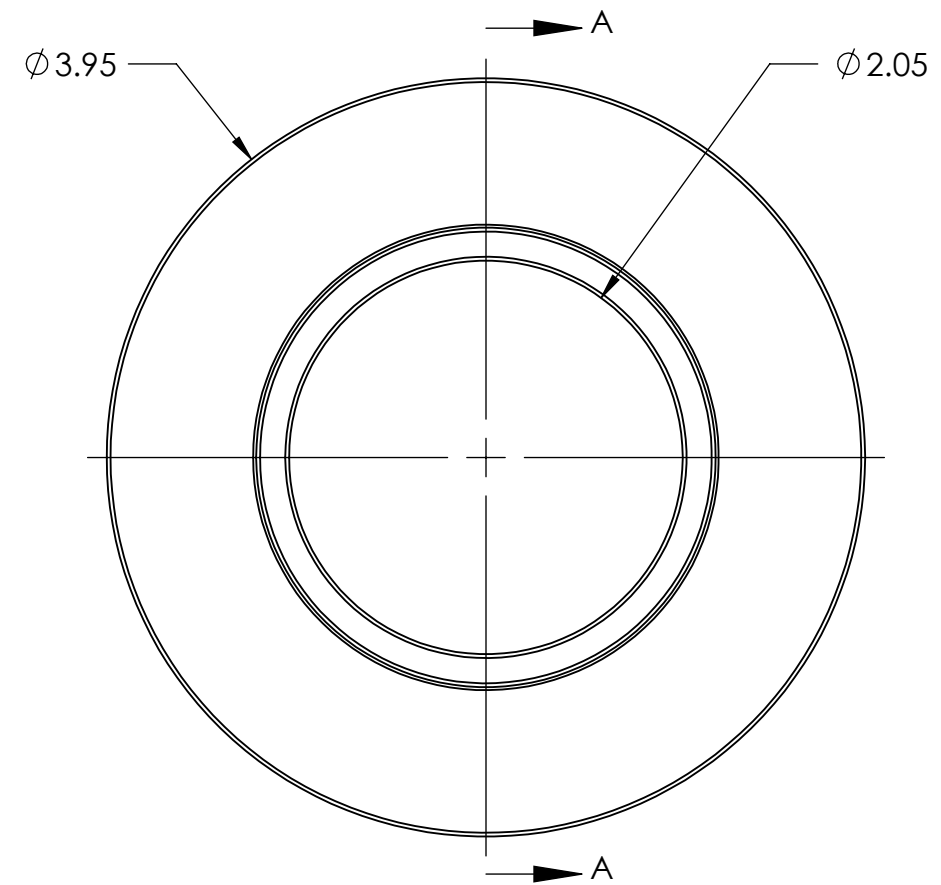
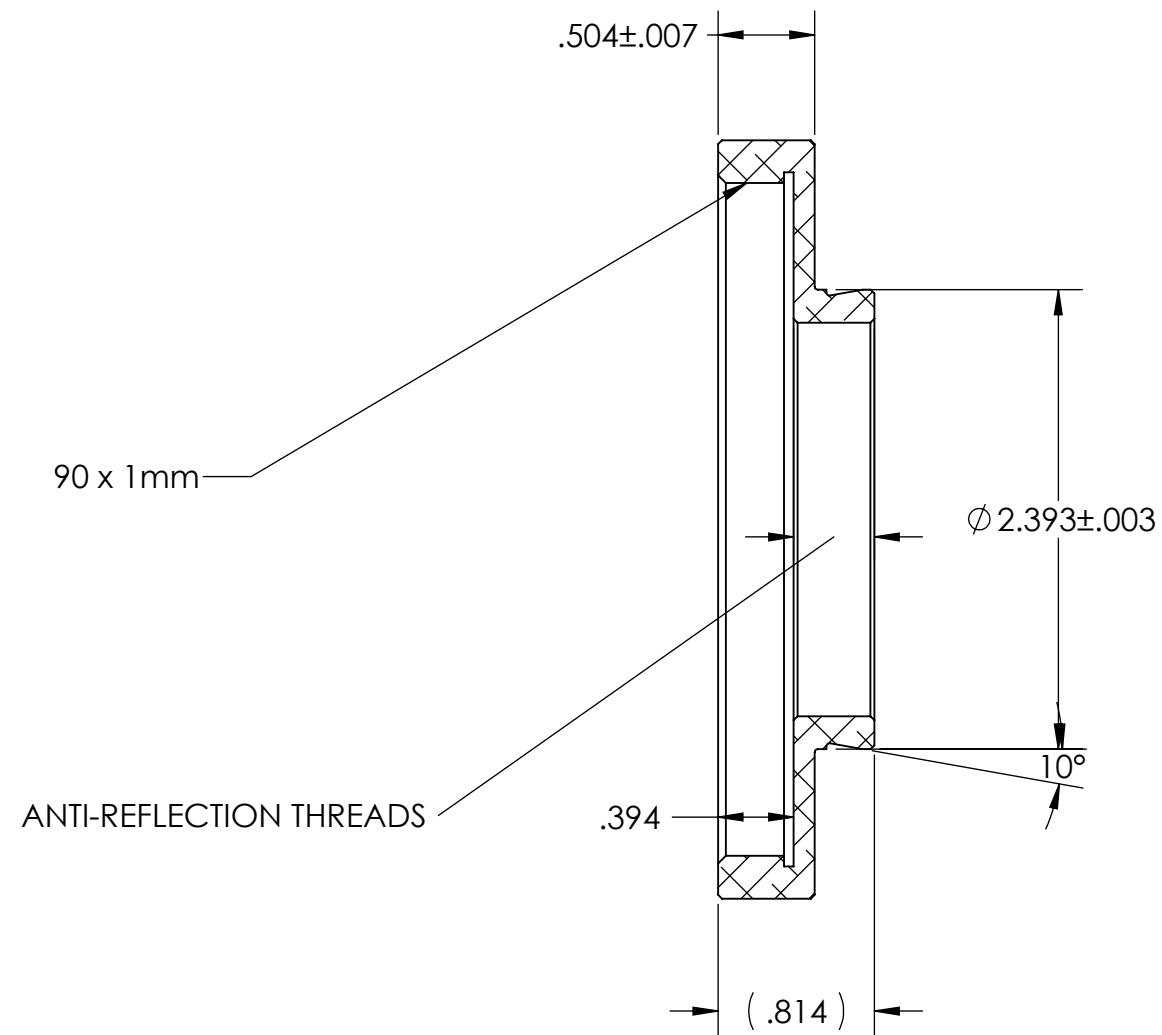


STK. NO. 19663



UNLESS OTHERWISE SPECIFIED: DIMENSIONS ARE IN INCHES TOLERANCES: FRACTIONAL ± ANGULAR: MACH ± BEND ± TWO PLACE DECIMAL ±.007 THREE PLACE DECIMAL ±.003	DRAWN	NAME	DATE	Optec Inc.	
	CHECKED	LD	11/06/09		
	ENG APPR.				
	MFG APPR.				
	Q.A.			TITLE: 90 X 1mm TO OPTEC 2400	
THIRD ANGLE PROJECTION	MATERIAL	CONTRACT		SIZE	DWG. NO.
	6061-T6	OPTEC-2400		B	17-06703
	FINISH			SCALE: 1:1	WEIGHT:
	SEE NOTES				
	DO NOT SCALE DRAWING				SHEET 1 OF 1