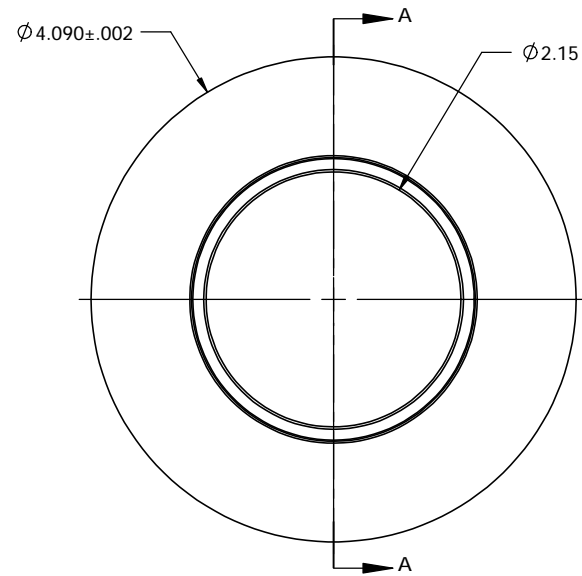
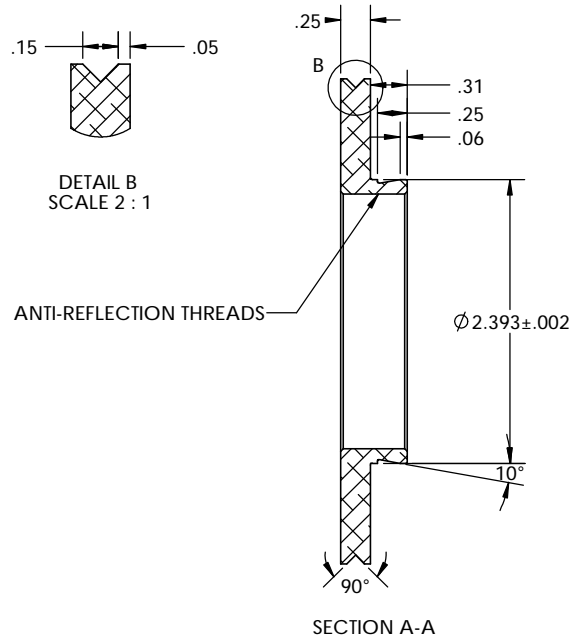


PN 5032  
STK NO 19660



UNLESS OTHERWISE SPECIFIED: DIMENSIONS ARE IN INCHES TOLERANCES: FRACTIONAL ± ANGULAR: MACH ± BEND ± TWO PLACE DECIMAL ±.007 THREE PLACE DECIMAL ±.003	DRAWN	NAME	DATE	<b>Optec Inc.</b> TITLE: <b>FLI V-GROOVE TO OPTEC 2400</b>
	CHECKED	LD	01/08/10	
	ENG APPR.			
	MFG APPR.			
	G.A.			
THIRD ANGLE PROJECTION	MATERIAL		CONTRACT	
	6061-T6		OPTEC-2400	
	FINISH FROSTKOTE BRIGHT DIP BLACK		SIZE DWG. NO.	
	DO NOT SCALE DRAWING		<b>B</b> <b>17-06706</b>	
			SCALE: 1:1	WEIGHT: SHEET 1 OF 1