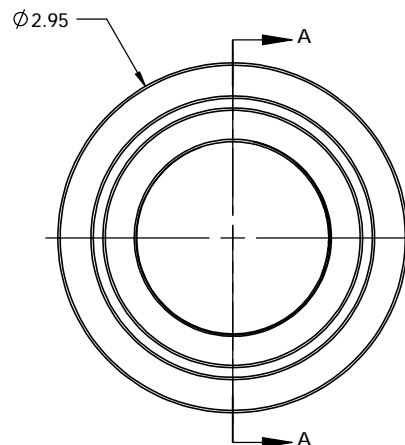
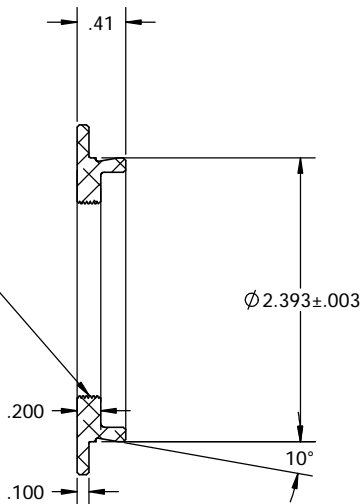


PN 5004
STOCK NO 19650

T-THREAD



THIRD ANGLE PROJECTION 	UNLESS OTHERWISE SPECIFIED:	DRAWN	NAME	DATE	Optec Inc.
	DIMENSIONS ARE IN INCHES TOLERANCES: FRACTIONAL ± ANGULAR: MACH ± BEND ± TWO PLACE DECIMAL ±.007 THREE PLACE DECIMAL ±.003	CHECKED	LD	10/15/09	
MATERIAL 6061-T6	CONTRACT	ENG APPR.			SIZE DWG. NO. B 17-06336
FINISH FROSTKOTE BRIGHT DIP BLACK	OPTEC-2400	MFG APPR.			SCALE: 1:1 WEIGHT: SHEET 1 OF 1
DO NOT SCALE DRAWING		Q.A.			