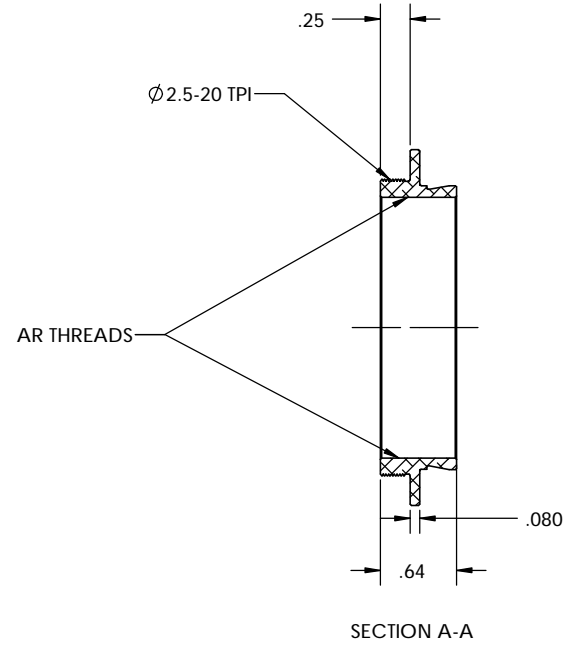
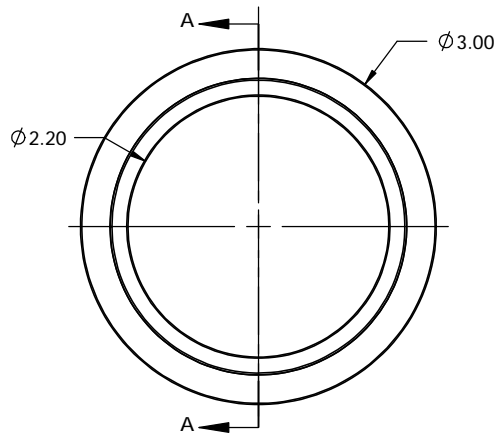


PN 4829  
STK NO 17962



UNLESS OTHERWISE SPECIFIED: DIMENSIONS ARE IN INCHES TOLERANCES: FRACTIONAL ± ANGULAR: MACH ± BEND ± TWO PLACE DECIMAL ±.007 THREE PLACE DECIMAL ±.003	DRAWN	NAME	DATE	<b>Optec, Inc.</b>	
	CHECKED	LD	12/30/08		
	ENG APPR.			TITLE: <b>APOGEE D07 TO IFW (REVERSE)</b>	
	MFG APPR.				
MATERIAL <b>6061-T6</b>	CONTRACT			SIZE	DWG. NO.
FINISH FROSTKOTE BRIGHT DIP BLACK	OPTEC-2400			<b>B</b>	<b>17-06329</b>
DO NOT SCALE DRAWING				SCALE: 1:1	WEIGHT:
					SHEET 1 OF 1