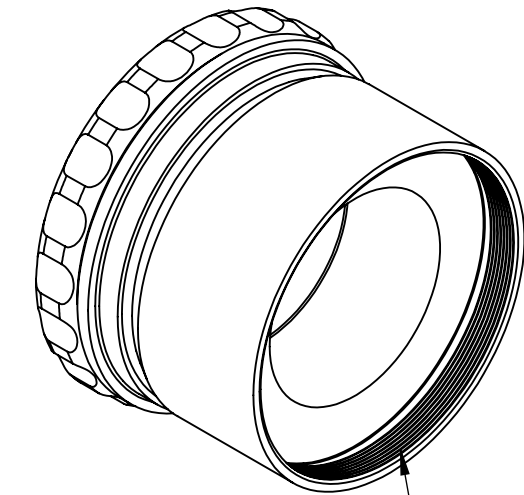
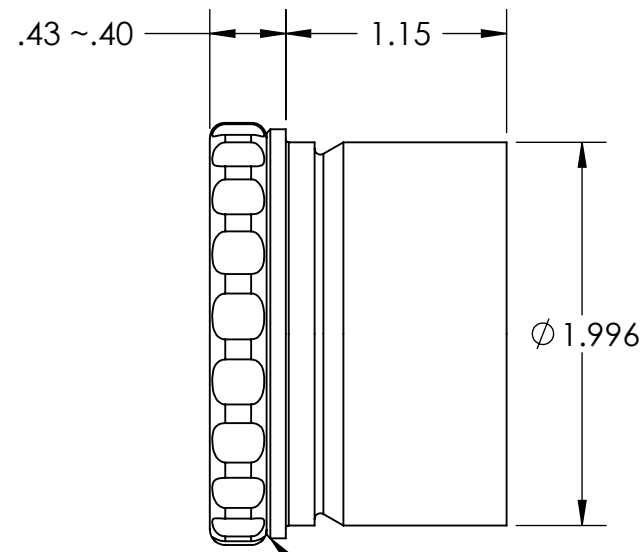
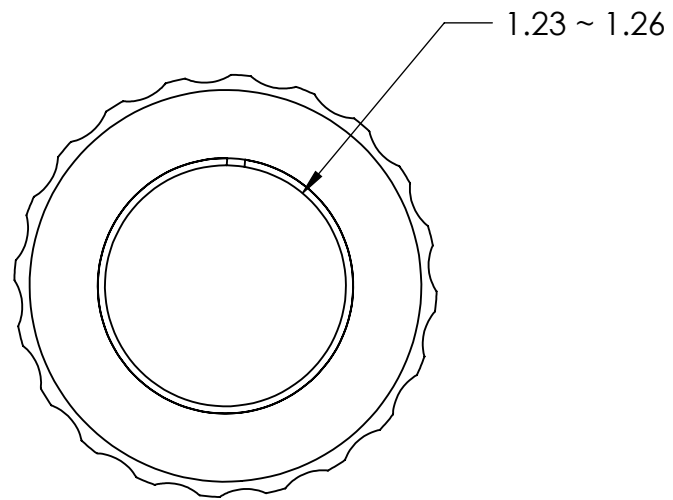


STK. NO. 17663



M48 x 0.6mm 2-inch Filter Thread

T-Thread under Locking Ring

UNLESS OTHERWISE SPECIFIED: DIMENSIONS ARE IN INCHES TOLERANCES: FRACTIONAL ± ANGULAR: MACH ± BEND ± TWO PLACE DECIMAL ±.007 THREE PLACE DECIMAL ±.003	DRAWN	NAME	DATE	Optec Inc. TITLE: 2" - 1.25" COMPRESSION ADAPTER
	CHECKED	LD	06/04/10	
	ENG APPR.			
	MFG APPR.			
	Q.A.			
THIRD ANGLE PROJECTION 	MATERIAL	CONTRACT		SIZE
FINISH FROSTKOTE BRIGHT DIP BLACK	6061-T6	2-INCH ADAPTERS		DWG. NO.
DO NOT SCALE DRAWING				B
				N/A
				SCALE: 1:1
				WEIGHT:
				SHEET 1 OF 1