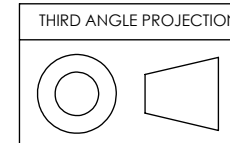
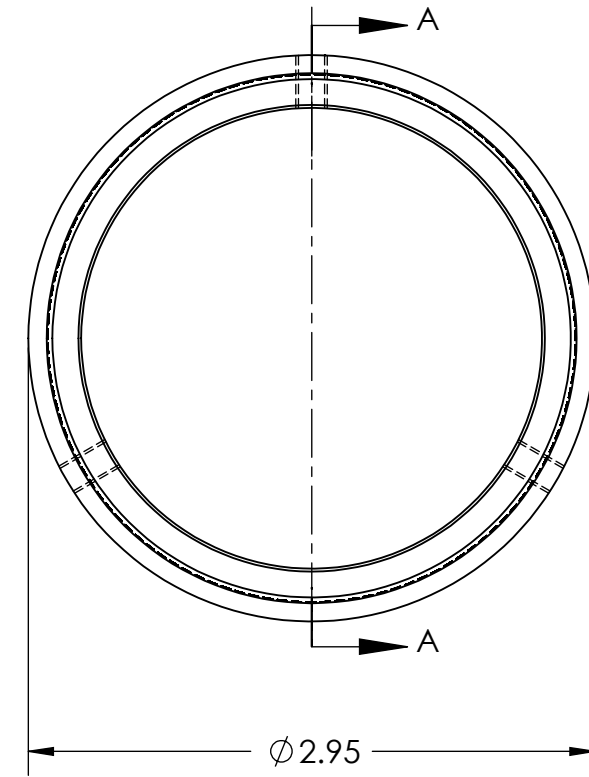
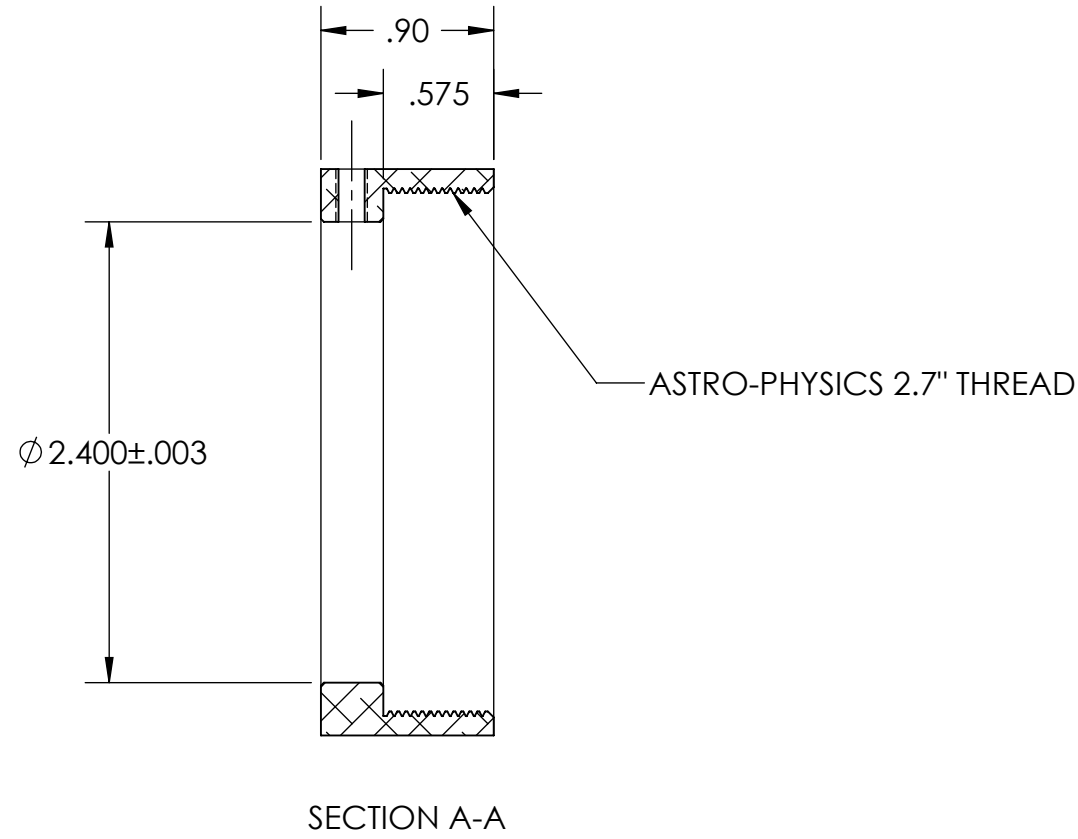


PN 4916  
 STK. NO. 17658



UNLESS OTHERWISE SPECIFIED: DIMENSIONS ARE IN INCHES TOLERANCES: FRACTIONAL $\pm$ ANGULAR: MACH $\pm$ BEND $\pm$ TWO PLACE DECIMAL $\pm .007$ THREE PLACE DECIMAL $\pm .003$	DRAWN	NAME	DATE	<b>Optec, Inc.</b>
	CHECKED	LD	04/28/09	
	ENG APPR.			
	MFG APPR.			
MATERIAL	6061-T6	CONTRACT		TITLE: <b>AP 2.7" FEMALE MOUNT</b>
FINISH	FROSTKOTE BRIGHT DIP BLACK	OPTEC 2400		
DO NOT SCALE DRAWING		SIZE	DWG. NO.	
		<b>B</b>	<b>17-06334</b>	
		SCALE: 1:1	WEIGHT:	SHEET 1 OF 1