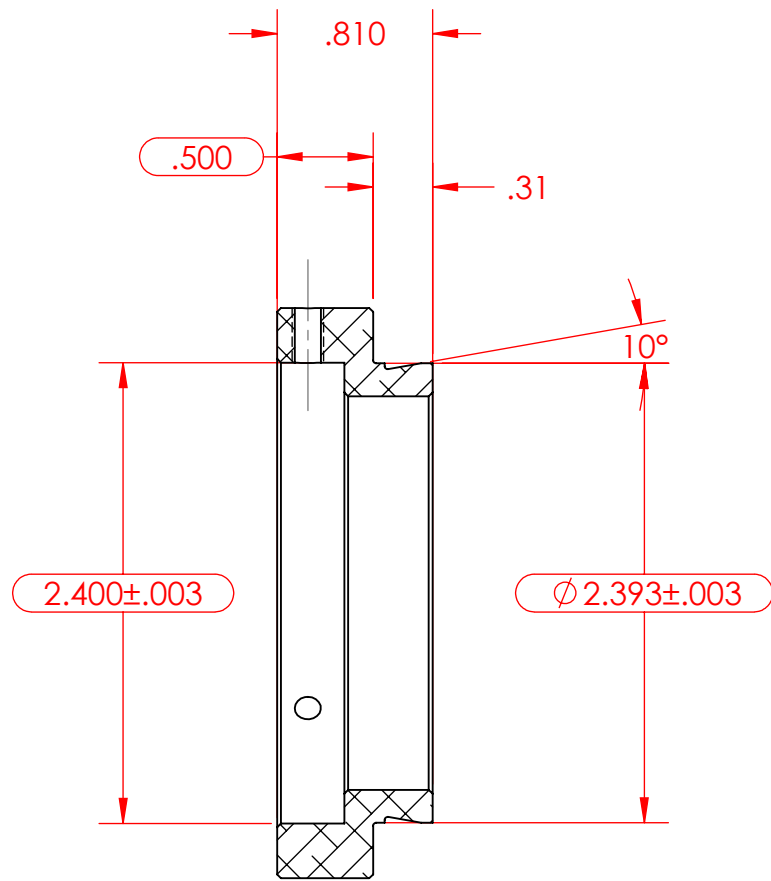
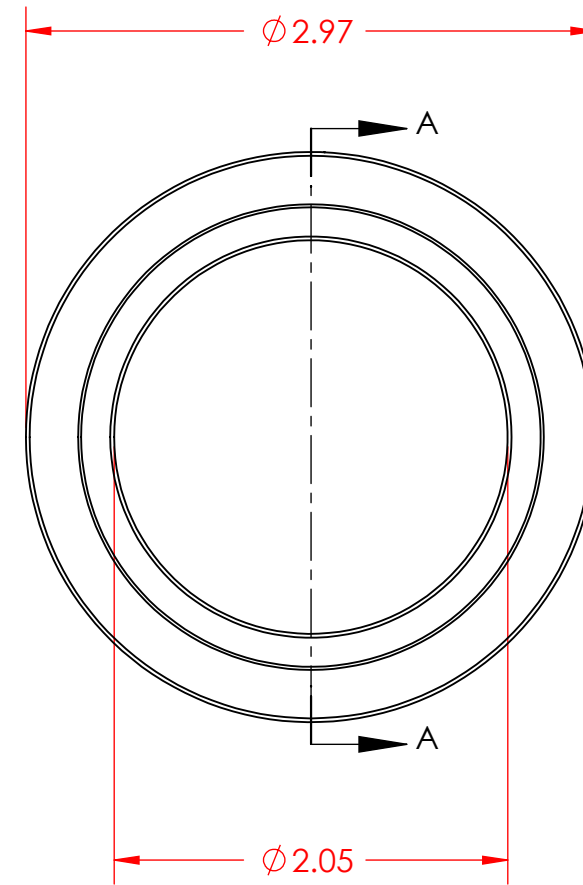


PN 4910
 STK. NO. 17653



SECTION A-A



UNLESS OTHERWISE SPECIFIED: DIMENSIONS ARE IN INCHES TOLERANCES: FRACTIONAL ± ANGULAR: MACH ± BEND ± TWO PLACE DECIMAL ±.007 THREE PLACE DECIMAL ±.003	DRAWN	NAME	DATE	Optec, Inc. TITLE: OPTEC 2400 .5" EXTENDER
	CHECKED	LD	04/13/09	
	ENG APPR.			
	MFG APPR.			
				Q.A.
	CONTRACT			
	OPTEC 2400			
MATERIAL	6061-T6			SIZE DWG. NO.
FINISH	FROSTKOTE BRIGHT DIP BLACK			B 17-06331
DO NOT SCALE DRAWING				SCALE: 1:1 WEIGHT: SHEET 1 OF 1

