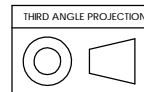
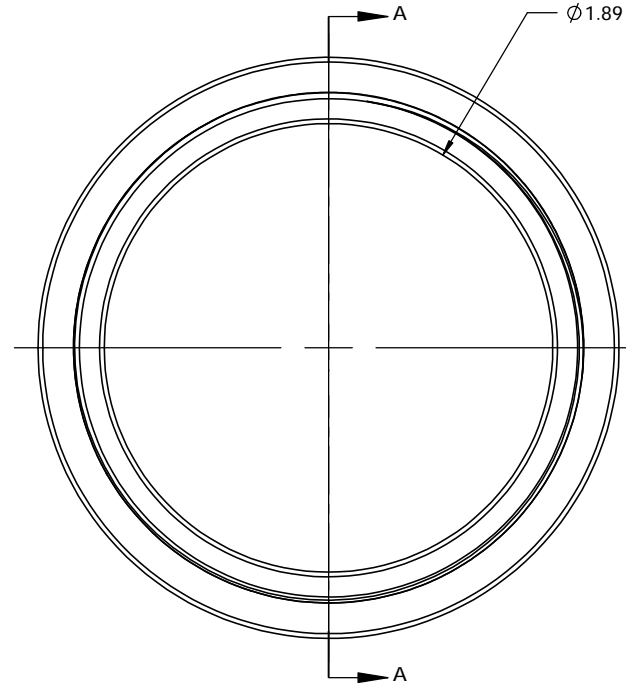
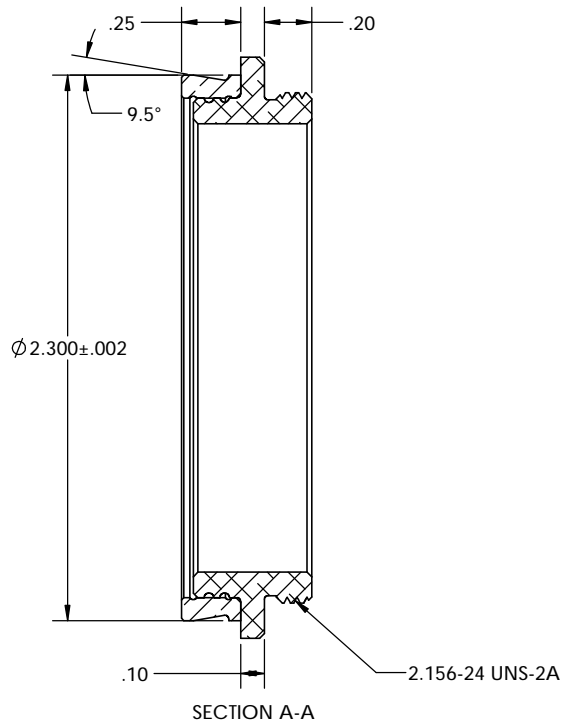


STK NO 17650



UNLESS OTHERWISE SPECIFIED: DIMENSIONS ARE IN INCHES TWO PLACE DECIMAL $\pm .007$ THREE PLACE DECIMAL $\pm .003$	DRAWN	NAME	DATE	Optec Inc. TITLE: OPTEC 2300 TO 2.156-24 UNS-2A
	CHECKED	LD	5/7/14	
	ENG APPR.			
	MFG APPR.			
MATERIAL	N/A	CONTRACT		SIZE
FINISH	N/A	OPTEC 2300		B DWG. NO.
DO NOT SCALE DRAWING		SCALE: 2:1	WEIGHT:	SHEET 1 OF 1