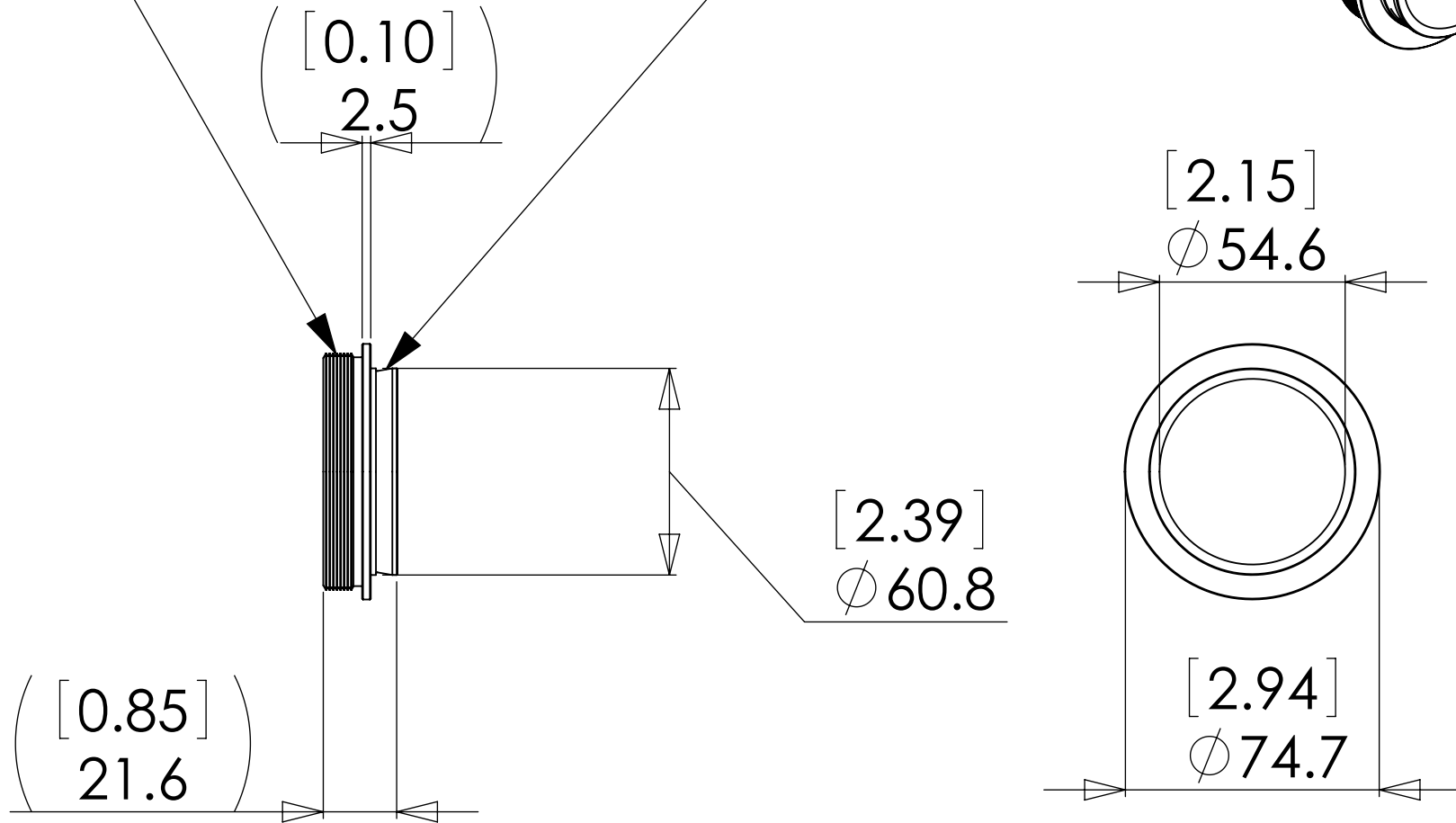
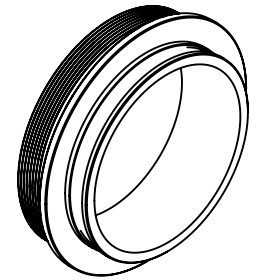


AstroPhysics 2.7"
Thread

OPTEC-2400
Dovetail



PROPRIETARY AND CONFIDENTIAL
THE INFORMATION CONTAINED IN THIS DRAWING IS THE SOLE PROPERTY OF <INSERT COMPANY NAME HERE>. ANY REPRODUCTION IN PART OR AS A WHOLE WITHOUT THE WRITTEN PERMISSION OF <INSERT COMPANY NAME HERE> IS PROHIBITED.

		DIMENSIONS ARE IN INCHES		NAME	DATE	<COMPANY NAME>
		TOLERANCES:				
		FRACTIONAL ±		DRAWN		
		ANGULAR: MACH ± BEND ±		CHECKED		
		TWO PLACE DECIMAL ±		ENG APPR.		
		THREE PLACE DECIMAL ±		MFG APPR.		
		MATERIAL --		Q.A.		
NEXT ASSY	USED ON	FINISH --		COMMENTS:		SIZE
APPLICATION		DO NOT SCALE DRAWING				A
						DWG. NO.
						REV.
						SCALE:1:2
						WEIGHT:
						SHEET 1 OF 1