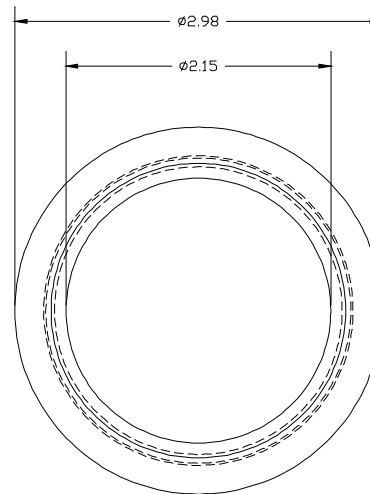
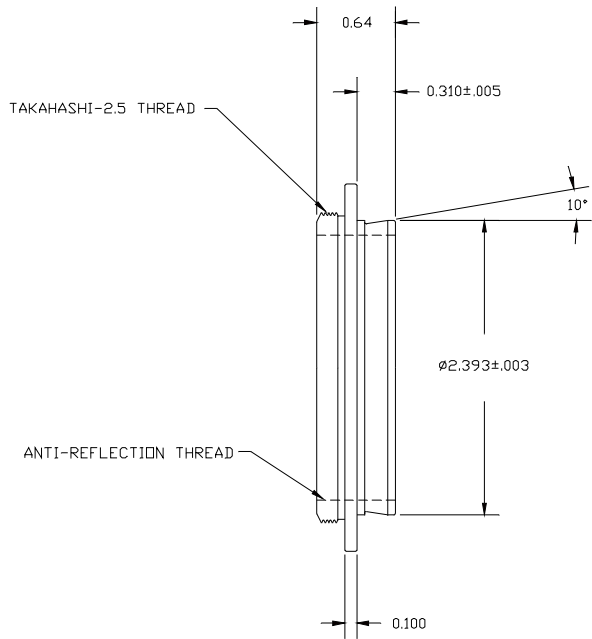


PN4016  
 STK# 17451



TOLERANCE XX ±.007.XXX ± .003	CONTRACT TCF-S/IFW TELESCOPE ADAPTERS	<i>OPTEC, Inc.</i>	
MATERIAL 6262 T9	REVISION 12/13/2000 10/6/2005 6/8/06 6/22/07	TAKAHASHI-2.5 FOCUSER MOUNT	
FINISH BRIGHT DIP BLACK ANODIZE		SCALE: 1X	NO: 17-06325