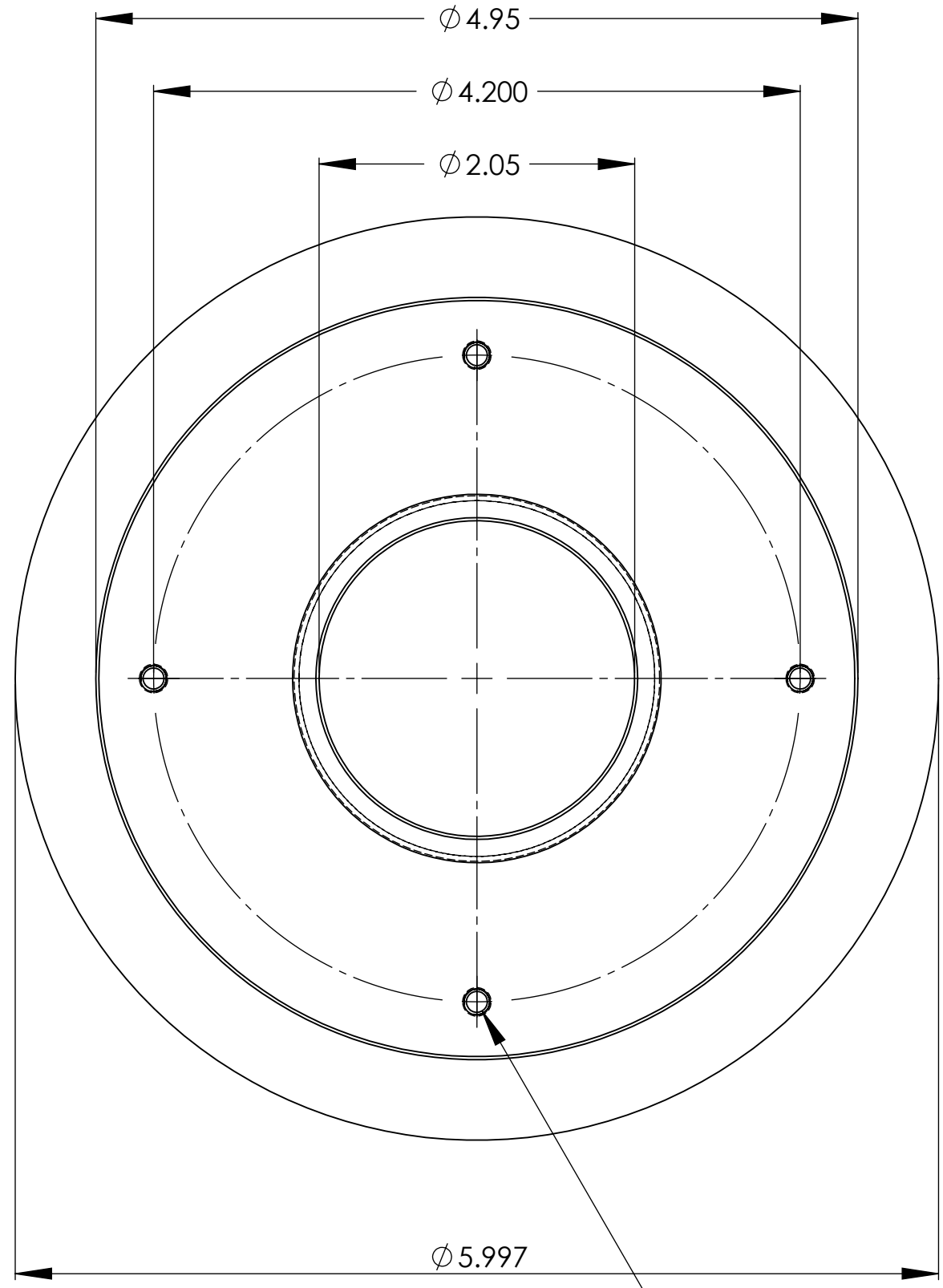
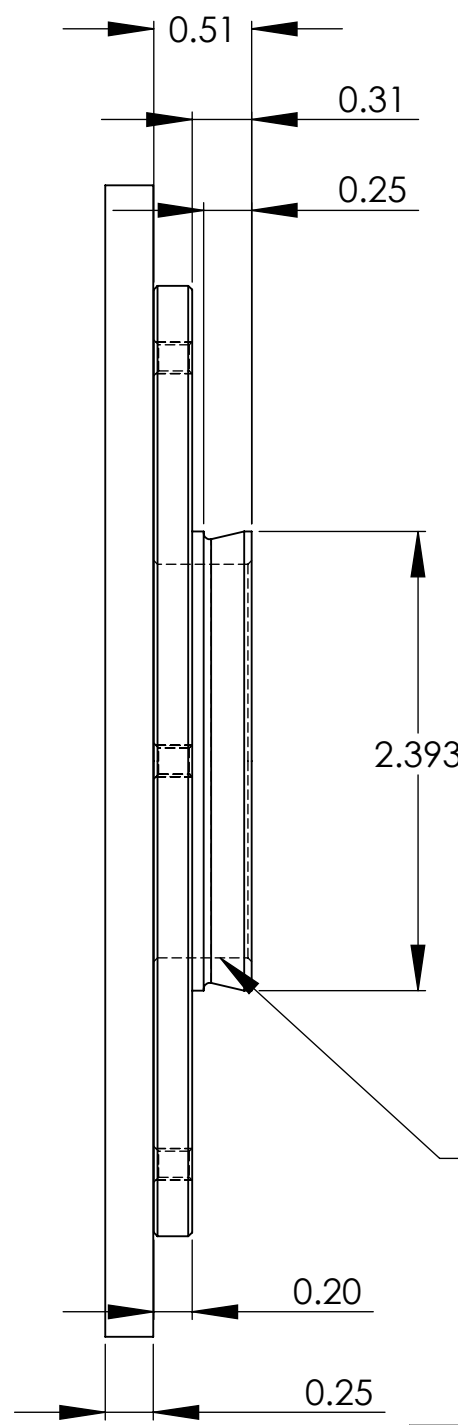


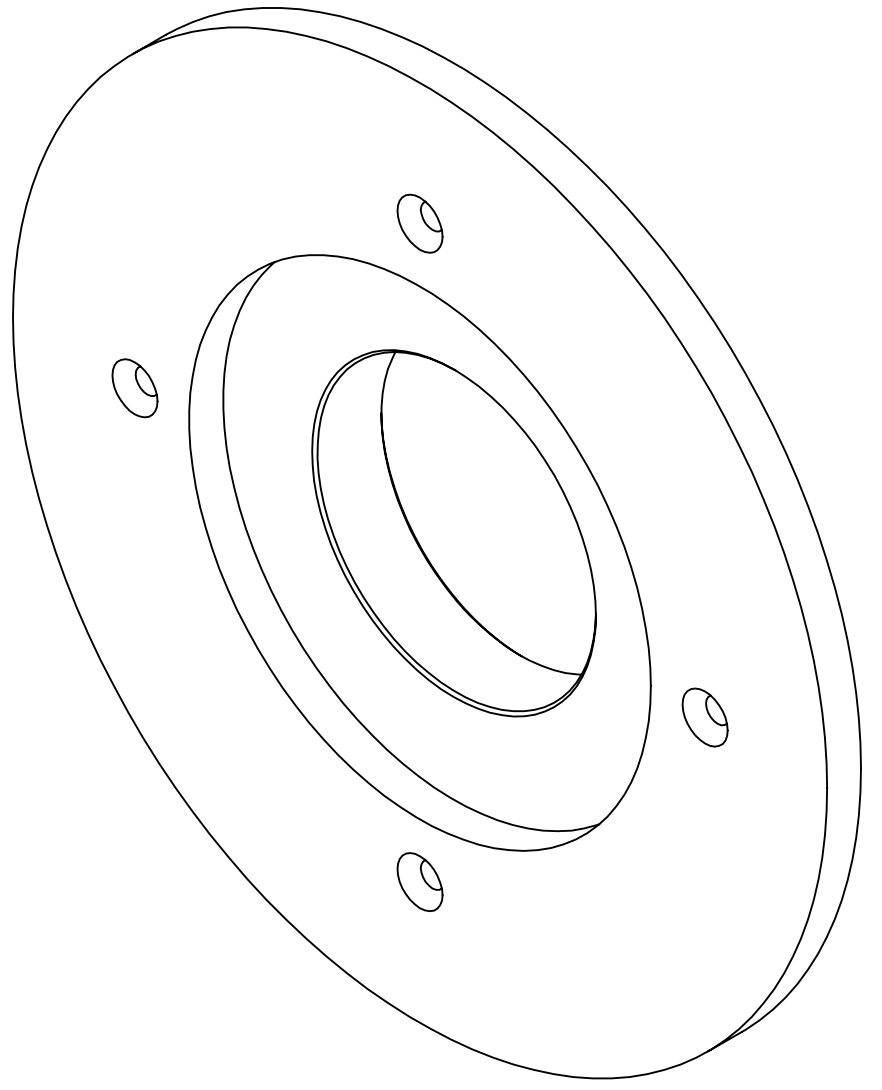
PN 4753
STK. NO. 17417



4 x ϕ 0.14 THRU ALL
8-32 UNC ∇ 0.33
 \checkmark ϕ 0.19 X 90°, Near Side



ANTI-REFLECTION THRD.



UNLESS OTHERWISE SPECIFIED: DIMENSIONS ARE IN INCHES TOLERANCES: FRACTIONAL \pm ANGULAR: MACH \pm BEND \pm TWO PLACE DECIMAL \pm .007 THREE PLACE DECIMAL \pm .003	DRAWN	NAME	DATE	Optec, Inc.
	CHECKED	LD	09/30/09	
	ENG APPR.			
	MFG APPR.			
MATERIAL	CONTRACT			TITLE: CDK 12.5 TO 2400 DOVETAIL
6061-T6	OPTEC-2400			
FINISH	SIZE	DWG. NO.		SCALE: 1:1
FROSTKOTE BRIGHT DIP BLACK	B	17-06679		
DO NOT SCALE DRAWING	WEIGHT:	SHEET 1 OF 1		

