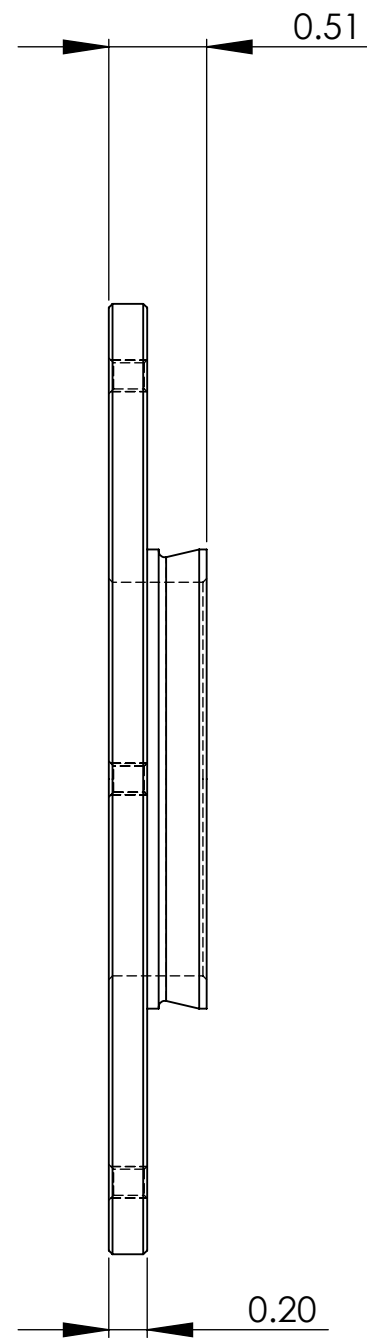
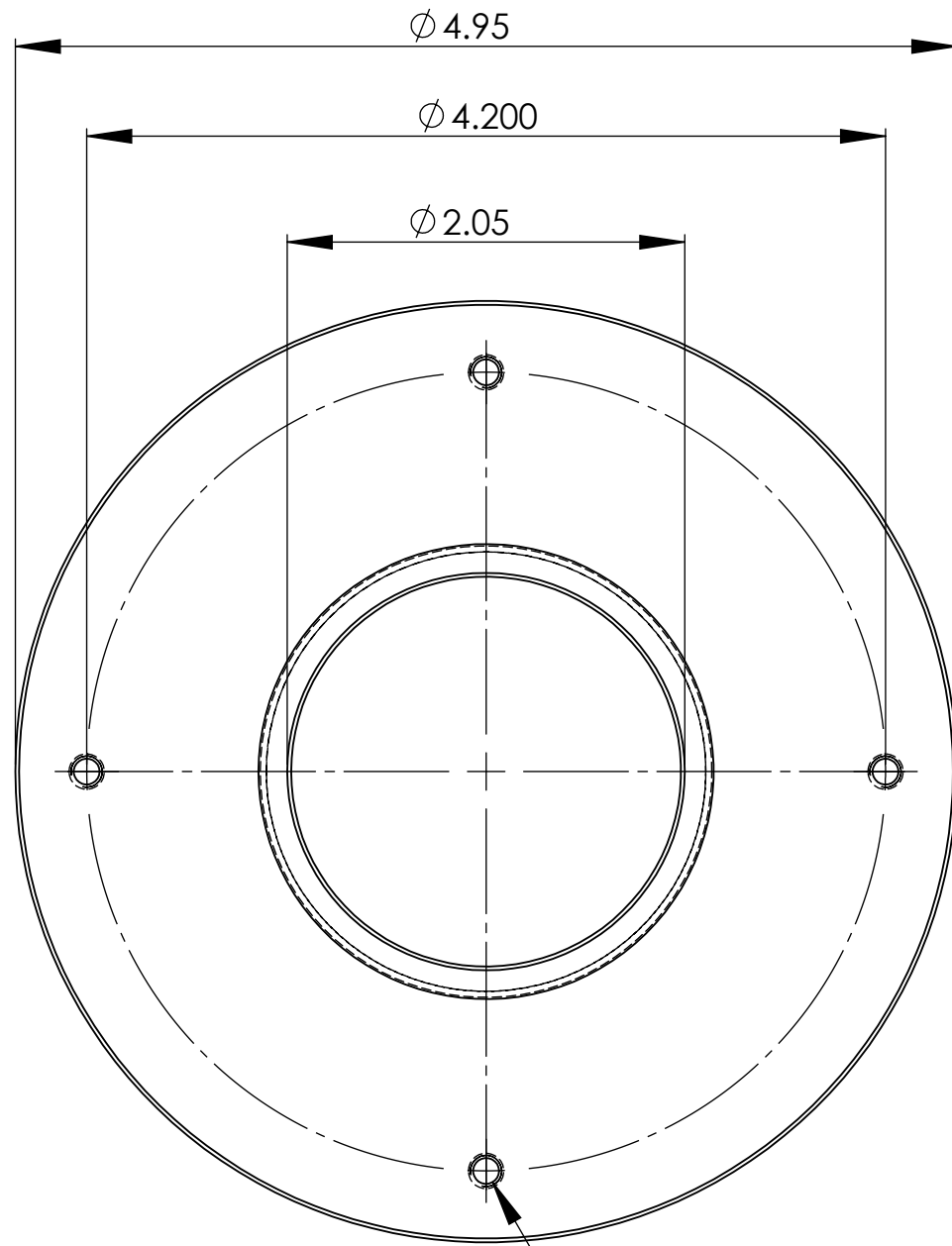


PN 4753
 STK. NO. 17416



8 x ϕ 0.14 THRU ALL
 8-32 UNC ∇ 0.33
 \surd ϕ 0.19 X 90°, Near Side

UNLESS OTHERWISE SPECIFIED: DIMENSIONS ARE IN INCHES TOLERANCES: FRACTIONAL \pm ANGULAR: MACH \pm BEND \pm TWO PLACE DECIMAL \pm .007 THREE PLACE DECIMAL \pm .003	DRAWN	NAME	DATE	Optec, Inc.
	CHECKED	LD	09/30/09	
	ENG APPR.			
	MFG APPR.			
	Q.A.			TITLE:
	CONTRACT			CDK 12.5 TO 2400 DOVETAIL
	OPTEC-2400			SIZE DWG. NO.
	DO NOT SCALE DRAWING			B 17-06679
	SCALE: 1:1	WEIGHT:	SHEET 1 OF 1	

