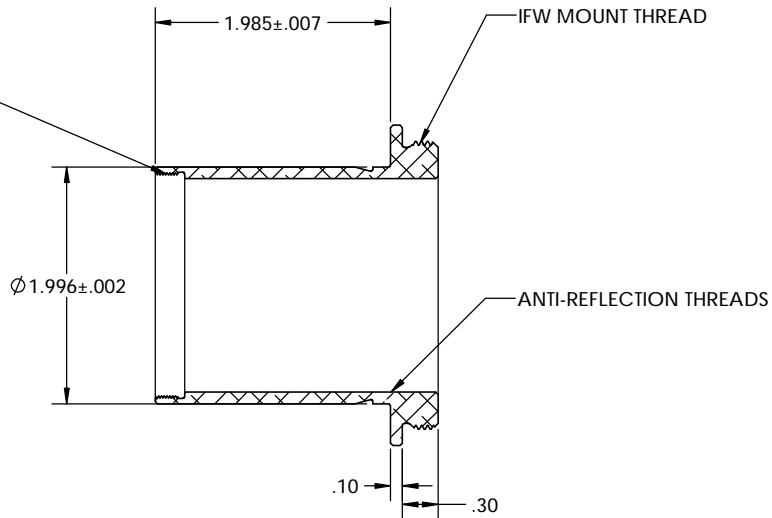
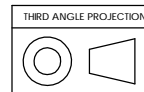
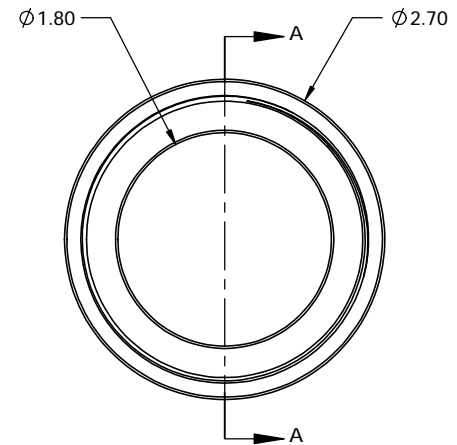


PN 5034  
STK NO 17761

2" FILTER THREAD  
M48 X 0.6mm



SECTION A-A



UNLESS OTHERWISE SPECIFIED: DIMENSIONS ARE IN INCHES TWO PLACE DECIMAL $\pm .007$ THREE PLACE DECIMAL $\pm .003$	DRAWN	NAME	DATE	<b>Optec Inc.</b>
	CHECKED	LD	4/24/13	
	ENG APPR.			
	MFG APPR.			
MATERIAL	CONTRACT			TITLE:
6061-T6	2-INCH ADAPTERS			2" BARREL TO IFW MOUNT THREAD
FINISH	SEE NOTES	SIZE	DWG. NO.	
DO NOT SCALE DRAWING		<b>B</b>	<b>17-06613</b>	
		SCALE: 1:1	WEIGHT:	SHEET 1 OF 1