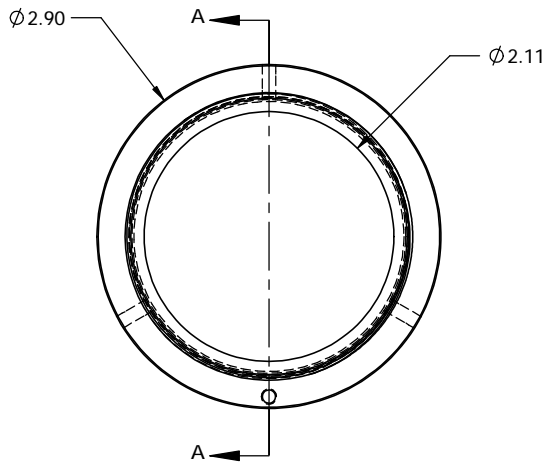
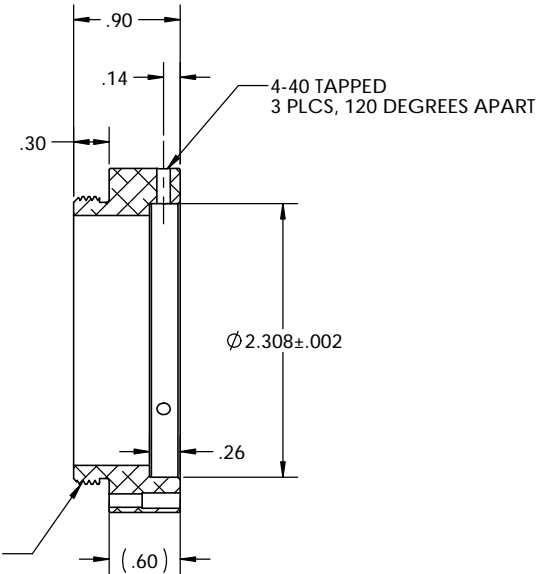


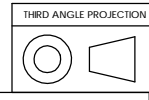
STK NO 17469



2" MOUNT THREAD  
 TPI: 20, PITCH 0.05  
 2.425 MAJOR DIA BEFORE THREADS  
 DEPTH OF THREAD: 0.0325  
 MOW 2.4468±0.002 WITH 0.032 WIRE



SECTION A-A



UNLESS OTHERWISE SPECIFIED: DIMENSIONS ARE IN INCHES TWO PLACE DECIMAL ±.007 THREE PLACE DECIMAL ±.003	DRAWN	NAME	DATE	<b>Optec Inc.</b> TITLE: <b>BLANK MOUNTING RING</b>
	CHECKED	LD	5/22/14	
	ENG APPR.			
	MFG APPR.			
MATERIAL	6061-T6			SIZE <b>B</b> DWG. NO.
FINISH	BLACK ANODIZE			
DO NOT SCALE DRAWING	CONTRACT OPTEC 2300			SCALE: 1:1 WEIGHT: SHEET 1 OF 1