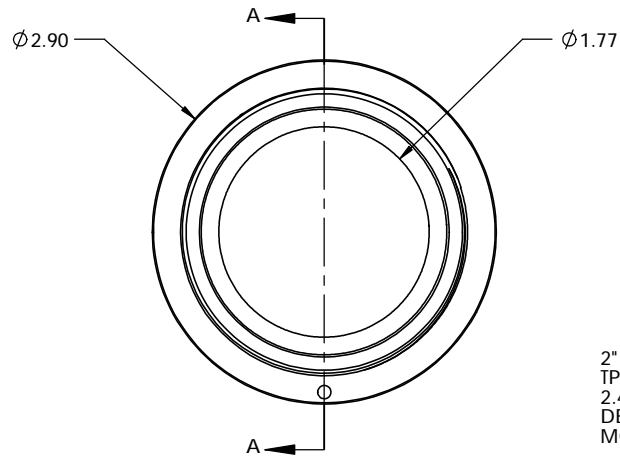
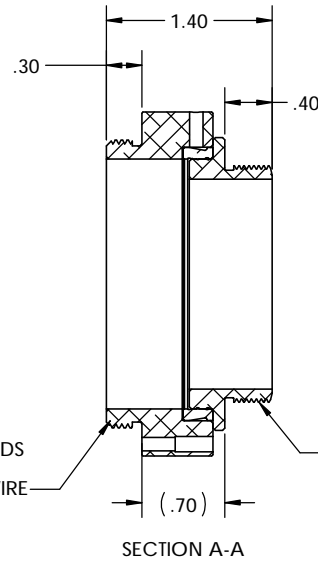


STK NO 17467



2" MOUNT THREAD  
 TPI: 20, PITCH 0.05  
 2.425 MAJOR DIA BEFORE THREADS  
 DEPTH OF THREAD: 0.0325  
 MOW 2.4468±0.002 WITH 0.032 WIRE



2.00" CELESTRON/MEADE THREAD  
 TPI: 24, PITCH 0.0417  
 1.995 MAJOR DIAMETER BEFORE THREADS  
 DEPTH OF THREAD 0.0256  
 MOW 2.0190±0.002 WITH 0.029 WIRE

UNLESS OTHERWISE SPECIFIED: DRAWN CHECKED ENG APPR. MFG APPR. G.A.	NAME	DATE	<b>Optec Inc.</b>	
	LD	3/24/14		
	TITLE:		<b>SCT LONG THREAD MOUNTING RING</b>	
	CONTRACT			
MATERIAL	N/A		SIZE	DWG. NO.
FINISH	N/A		<b>B</b>	
DO NOT SCALE DRAWING	OPTEC 2300		SCALE: 1:1	WEIGHT:
				SHEET 1 OF 1

