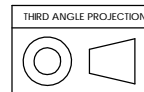
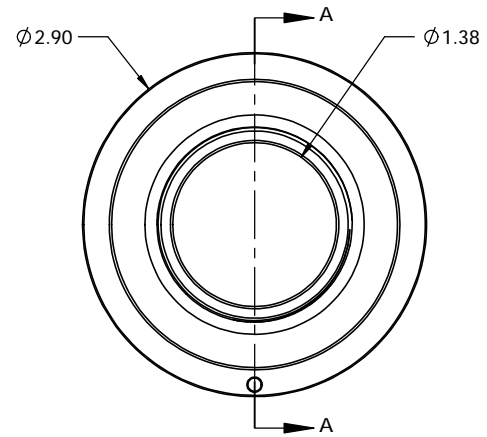
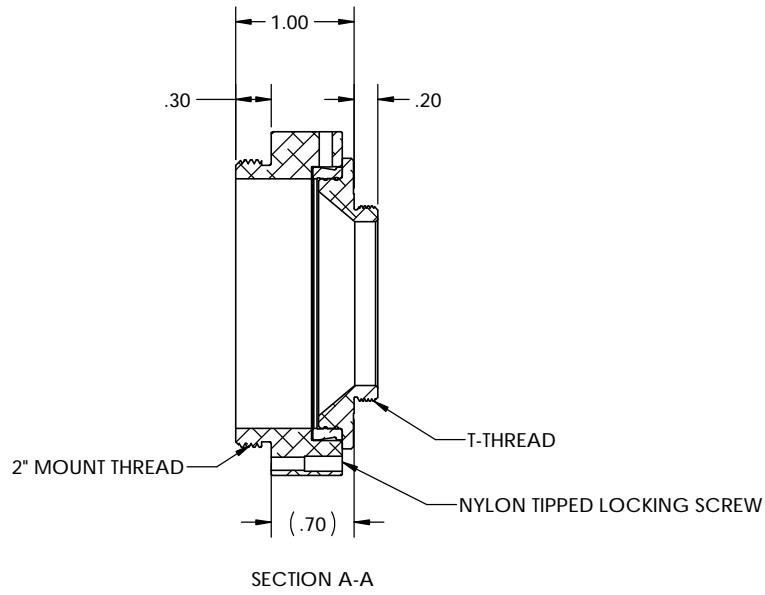


STK NO 17465



UNLESS OTHERWISE SPECIFIED: DIMENSIONS ARE IN INCHES TWO PLACE DECIMAL ±.007 THREE PLACE DECIMAL ±.003	DRAWN	NAME	DATE	<b>Optec Inc.</b>
	CHECKED	LD	5/22/14	
	ENG APPR.			
	MFG APPR.			
MATERIAL	6061-T6		CONTRACT	TITLE: T-THREAD MOUNTING RING
FINISH	BLACK ANODIZE		OPTEC 2300	SIZE DWG. NO. <b>B</b>
DO NOT SCALE DRAWING				SCALE: 1:1 WEIGHT: SHEET 1 OF 1