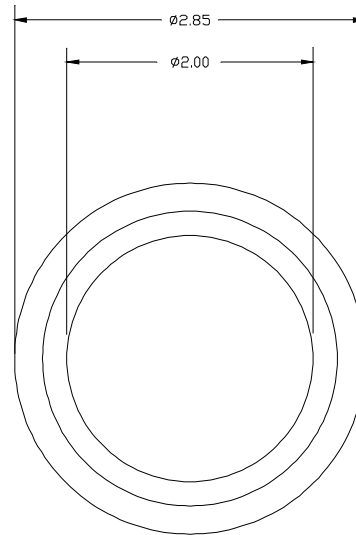
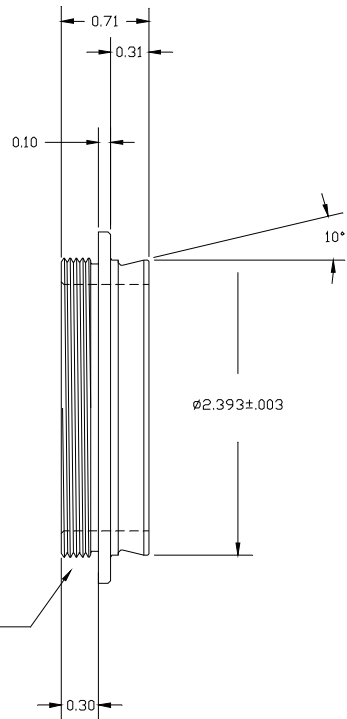


PN 3888
 STK# 17461



2" MOUNT THREAD

| | | | |
|---------------------------------------|---|--------------------|--------------|
| TOLERANCE XX ±.007.XXX ± .003 | CONTRACT TCF-S/IFW TELESCOPE ADAPTERS | <i>OPTEC, Inc.</i> | |
| MATERIAL 6262 T9 | REVISION 01/24/00 6/8/06 4/3/07 6/22/07 | | |
| FINISH BRIGHT DIP BLACK ANODIZE | | SCALE: 1X | NO: 17-06323 |