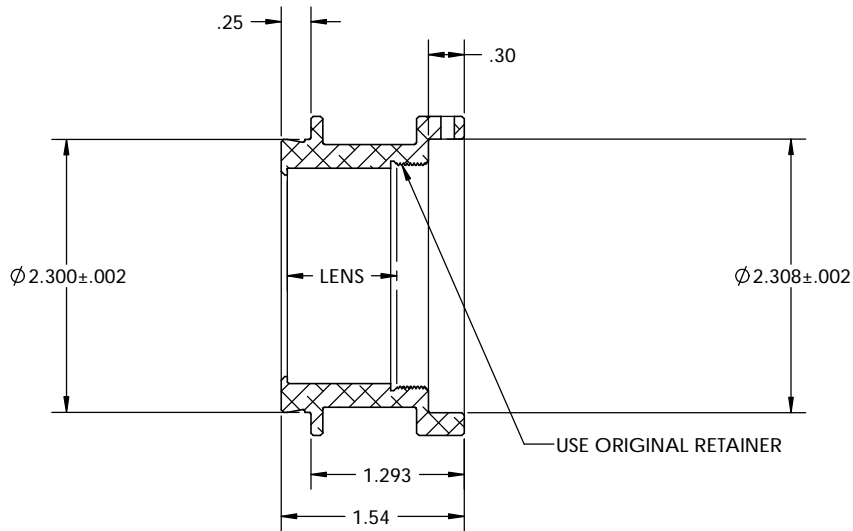
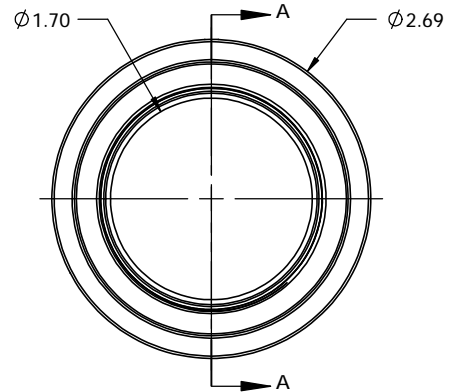


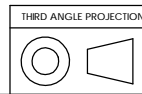
PN 5202
STK NO 19647



SECTION A-A



UNLESS OTHERWISE SPECIFIED: DIMENSIONS ARE IN INCHES TOLERANCES: FRACTIONAL ± ANGULAR: MACH ± BEND ± TWO PLACE DECIMAL ±.007 THREE PLACE DECIMAL ±.003	DRAWN	NAME	DATE	Optec Inc.
	CHECKED	LD	11/22/10	
	ENG APPR.			
	MFG APPR.			
	CONTRACT			TITLE:
				AT FIELD FLATTENER RETROFIT
				SIZE DWG. NO.
				B 17-15103
				SCALE: 1:1 WEIGHT: SHEET 1 OF 1



MATERIAL	6061-T6
FINISH	SEE NOTES
DO NOT SCALE DRAWING	

CONTRACT	PYXIS
----------	-------

SCALE: 1:1	WEIGHT:	SHEET 1 OF 1
------------	---------	--------------