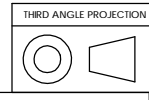
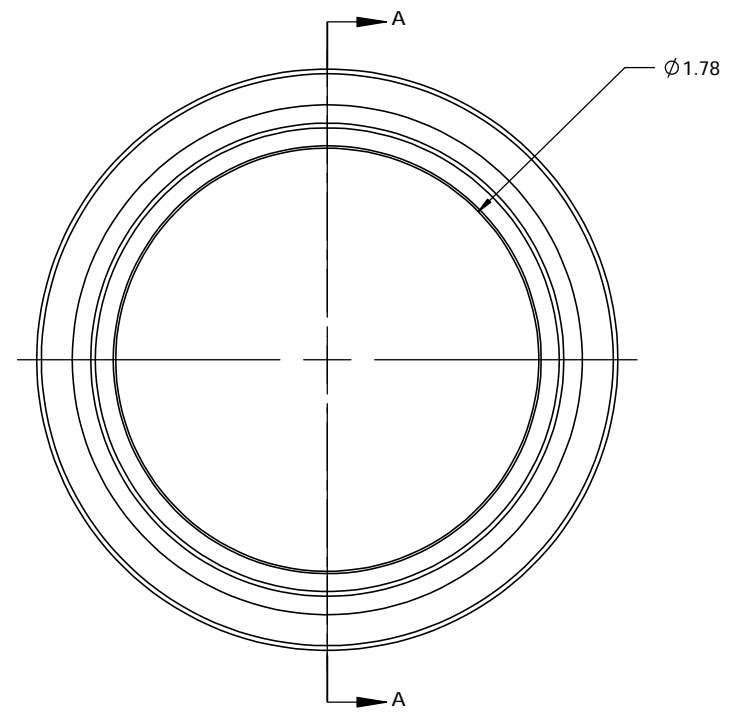
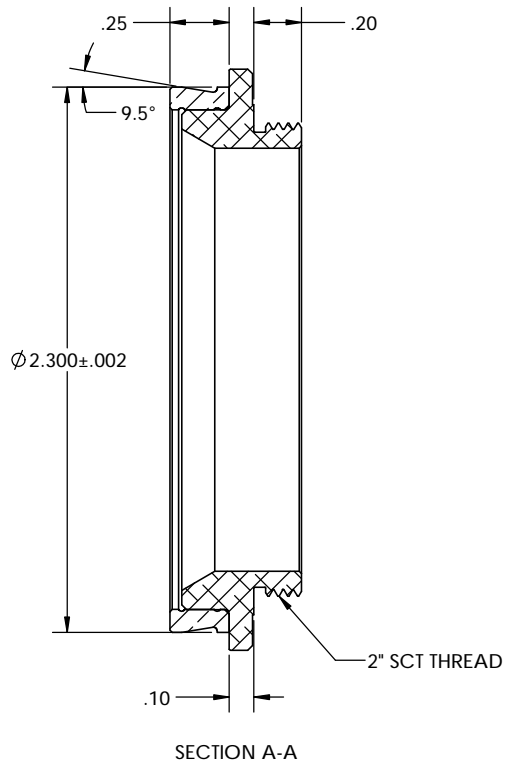


STK NO 17648



UNLESS OTHERWISE SPECIFIED: DIMENSIONS ARE IN INCHES TWO PLACE DECIMAL $\pm .007$ THREE PLACE DECIMAL $\pm .003$	DRAWN	NAME	DATE	Optec Inc.	
	CHECKED	LD	5/7/14		
	MATERIAL	ENG APPR.			TITLE:
	N/A	MFG APPR.			OPTEC 2300 TO 2" SCT
FINISH	G.A.			SIZE	DWG. NO.
N/A	CONTRACT			B	
DO NOT SCALE DRAWING	OPTEC 2300			SCALE: 2:1	WEIGHT:
					SHEET 1 OF 1