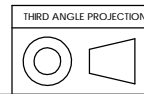
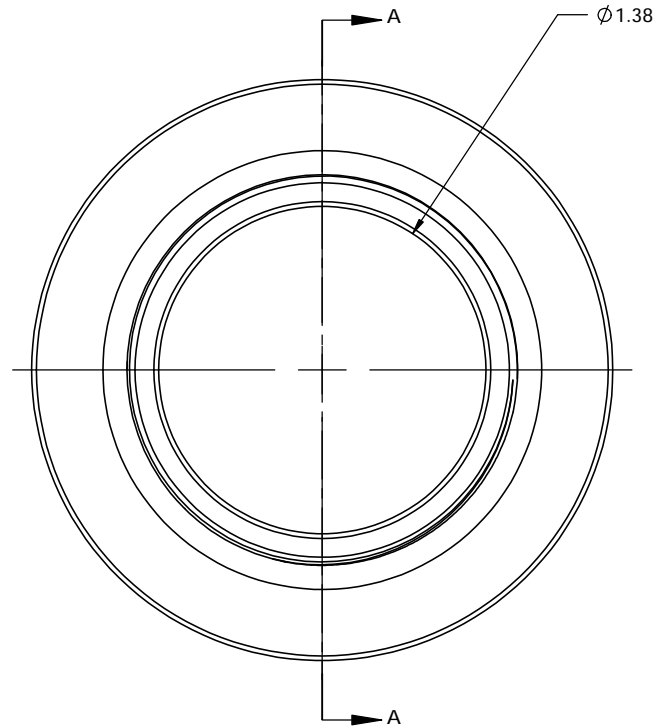
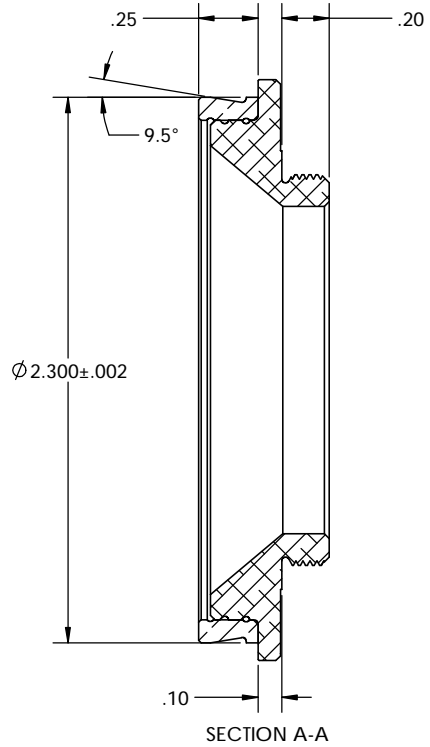


STK NO 17646



UNLESS OTHERWISE SPECIFIED: DIMENSIONS ARE IN INCHES TWO PLACE DECIMAL $\pm .007$ THREE PLACE DECIMAL $\pm .003$	DRAWN	NAME	DATE	<b>Optec Inc.</b>  TITLE: <b>OPTEC 2300 TO T-THREAD</b>
	CHECKED	LD	5/7/14	
	ENG APPR.			
	MFG APPR.			
MATERIAL	N/A	G.A.		SIZE DWG. NO.
FINISH	N/A	CONTRACT		<b>B</b>
DO NOT SCALE DRAWING	OPTEC 2300			SCALE: 2:1 WEIGHT:
				SHEET 1 OF 1