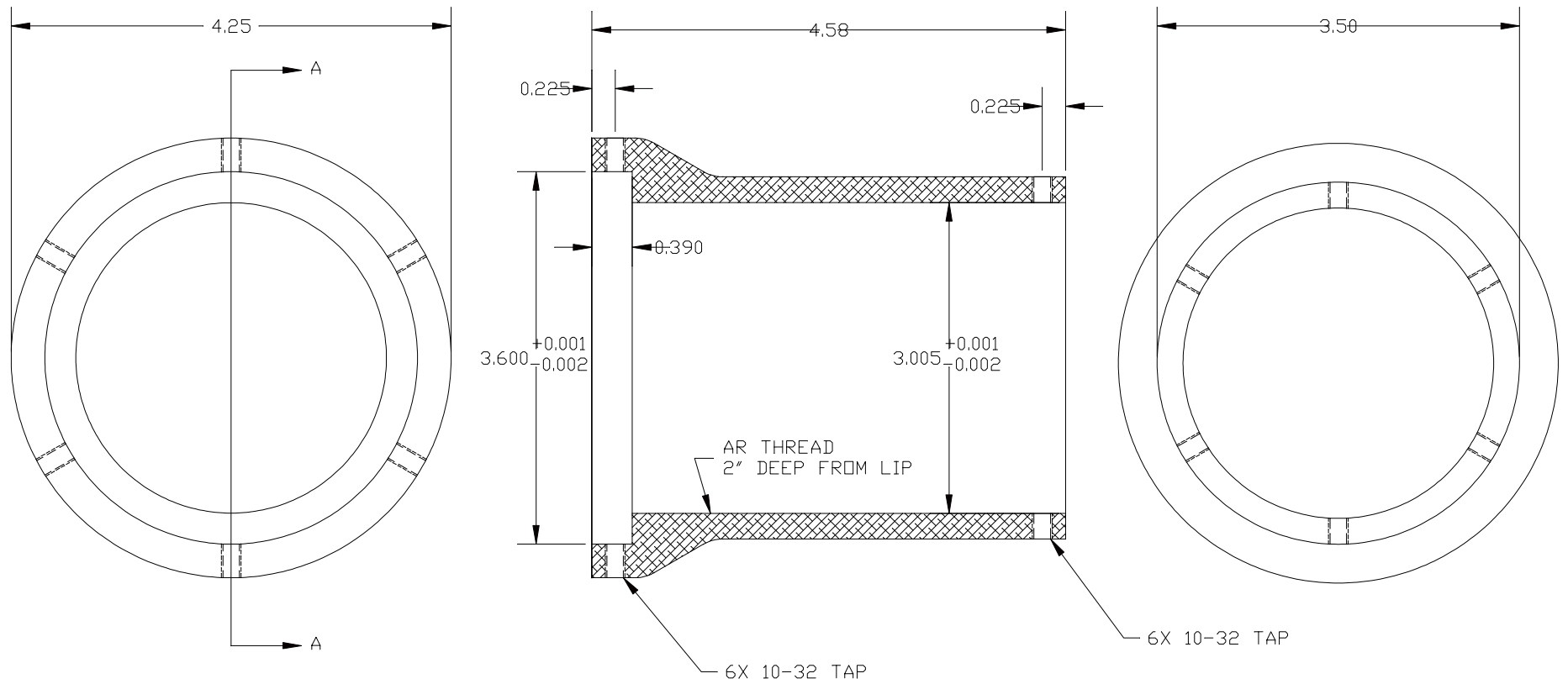


PN 4817

SECTION A-A



TOLERANCE .XX ±.007.XXX ±.003	CONTRACT 3-INCH NEXTGEN 3	<i>OPTEC, Inc.</i>	
MATERIAL 6061 T6	REVISION 12/1/2008		
FINISH FRSTKOTE/BRIGHT DIP BLACK ANODIZE	12/26/2008	SCALE: 1X	NO: 17-31013