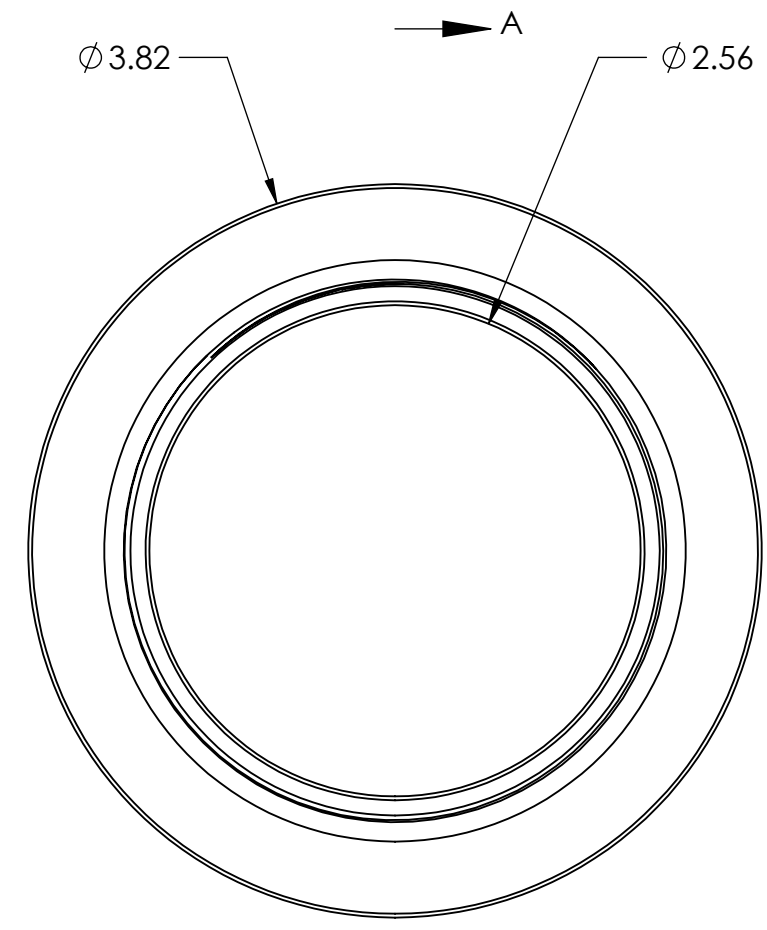
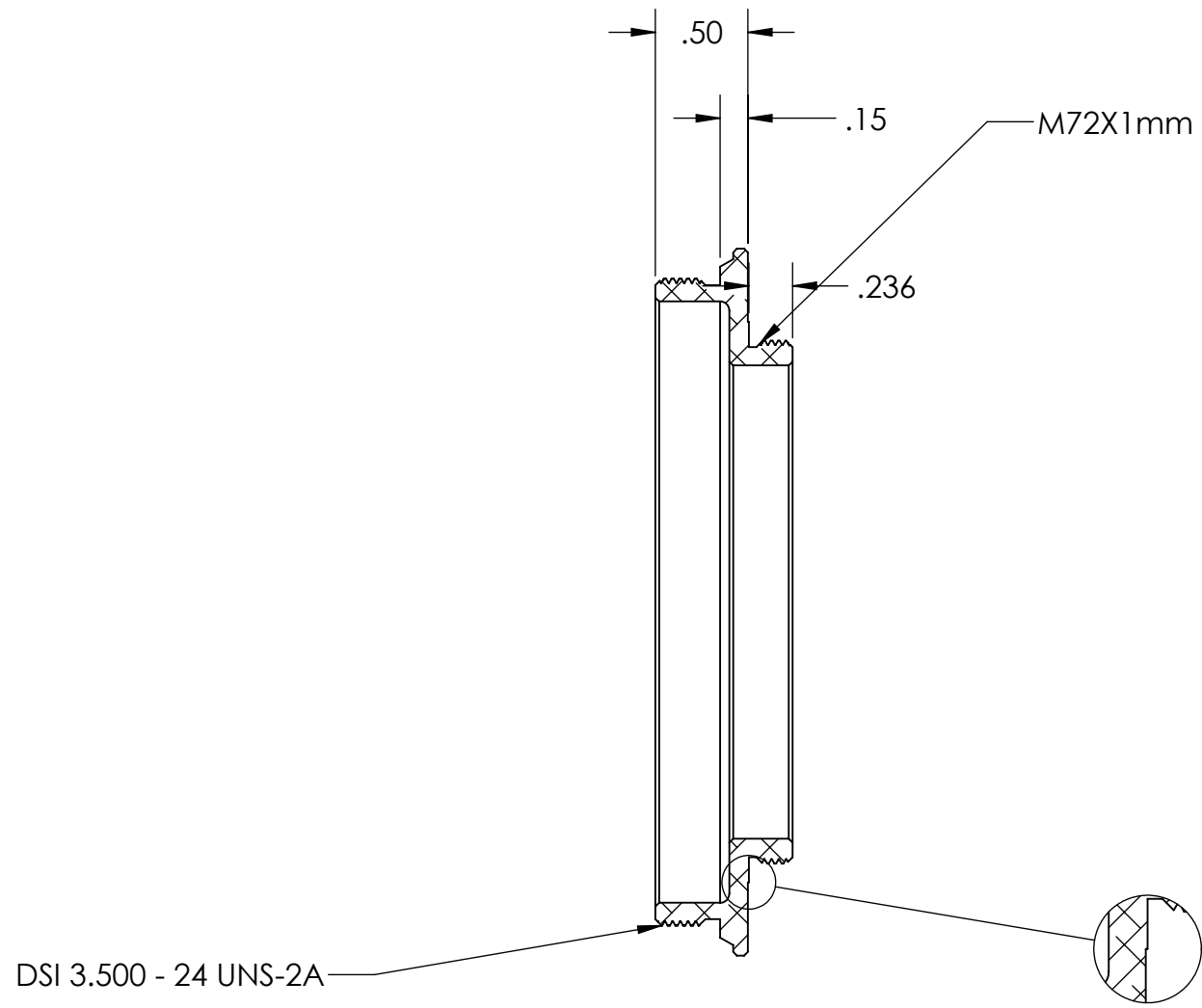


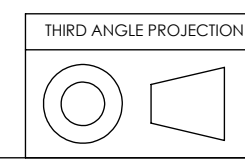
PN 5684
 STK. NO. 19917

D
C
B
A

D
C
B
A



→ A



| | | | | |
|---|------------|---------|--------------|----------------------------|
| UNLESS OTHERWISE SPECIFIED: DIMENSIONS ARE IN INCHES TWO PLACE DECIMAL ±.007 THREE PLACE DECIMAL ±.003 | DRAWN | NAME | DATE | Optec Inc. |
| | CHECKED | LD | 12/12/13 | |
| | ENG APPR. | | | |
| | MFG APPR. | | | |
| MATERIAL | CONTRACT | | | TITLE: |
| 6061-T6 | DSI | | | DSI 3.500" - 24 TO M72x1mm |
| FINISH | SEE NOTES | | | SIZE DWG. NO. |
| DO NOT SCALE DRAWING | | | | B 19-06789 |
| | SCALE: 1:1 | WEIGHT: | SHEET 1 OF 1 | |

8 7 6 5 4 3 2 1