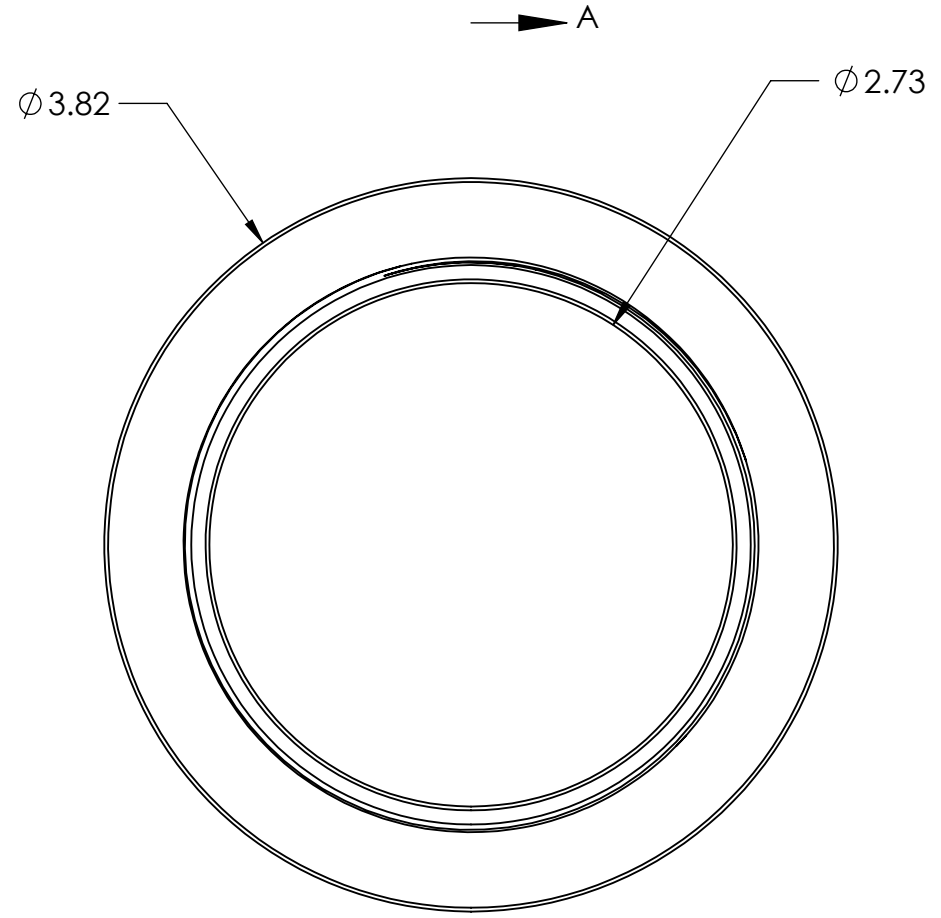
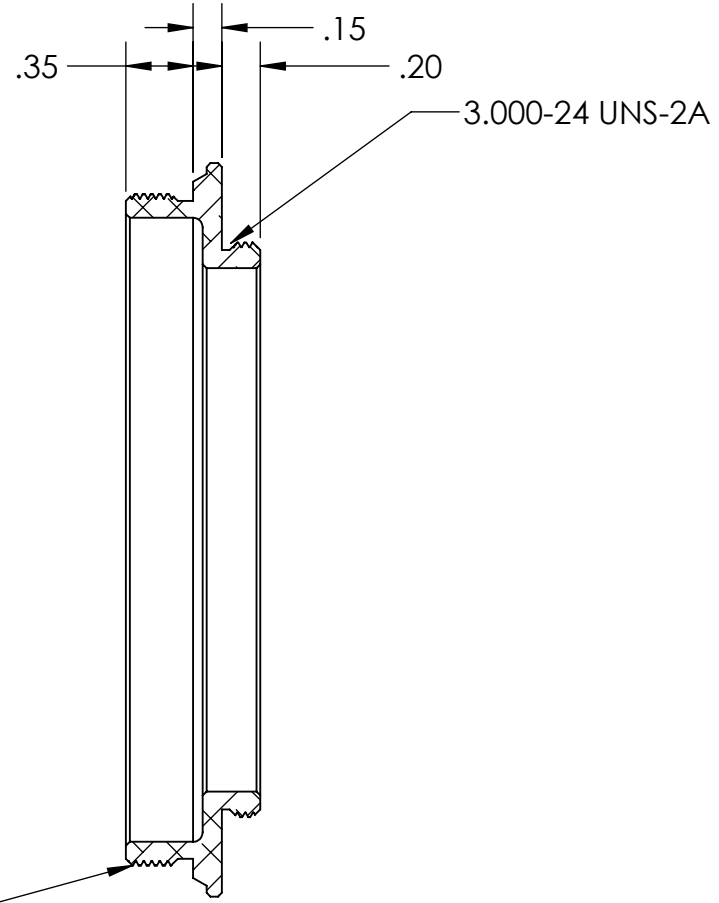


PN 5674
 STK. NO. 19915



DSI 3.500 - 24 UNS-2A

3.000-24 UNS-2A

UNLESS OTHERWISE SPECIFIED: DIMENSIONS ARE IN INCHES TWO PLACE DECIMAL ±.007 THREE PLACE DECIMAL ±.003	DRAWN	NAME	DATE	Optec Inc.
	CHECKED	LD	10/14/13	
	ENG APPR.			
	MFG APPR.			
MATERIAL	6061-T6			TITLE: DSI 3.500-24 TO 3.000-24
FINISH	SEE NOTES			SIZE DWG. NO. B 19-06787
DO NOT SCALE DRAWING	CONTRACT DSI			SCALE: 1:1 WEIGHT: SHEET 1 OF 1

