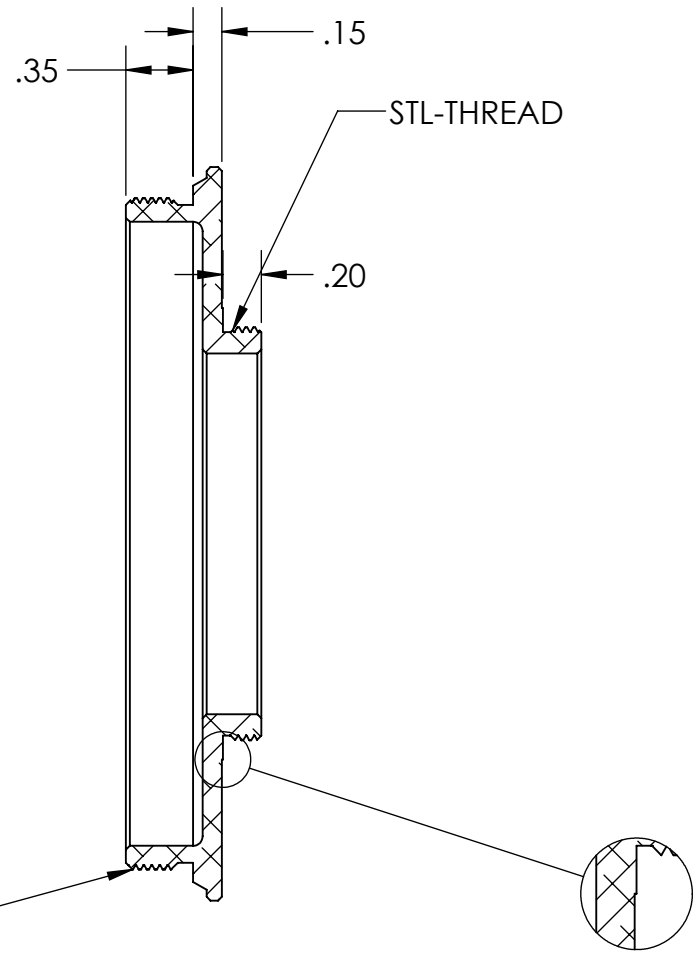
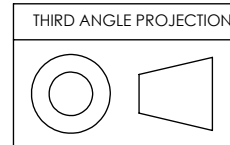
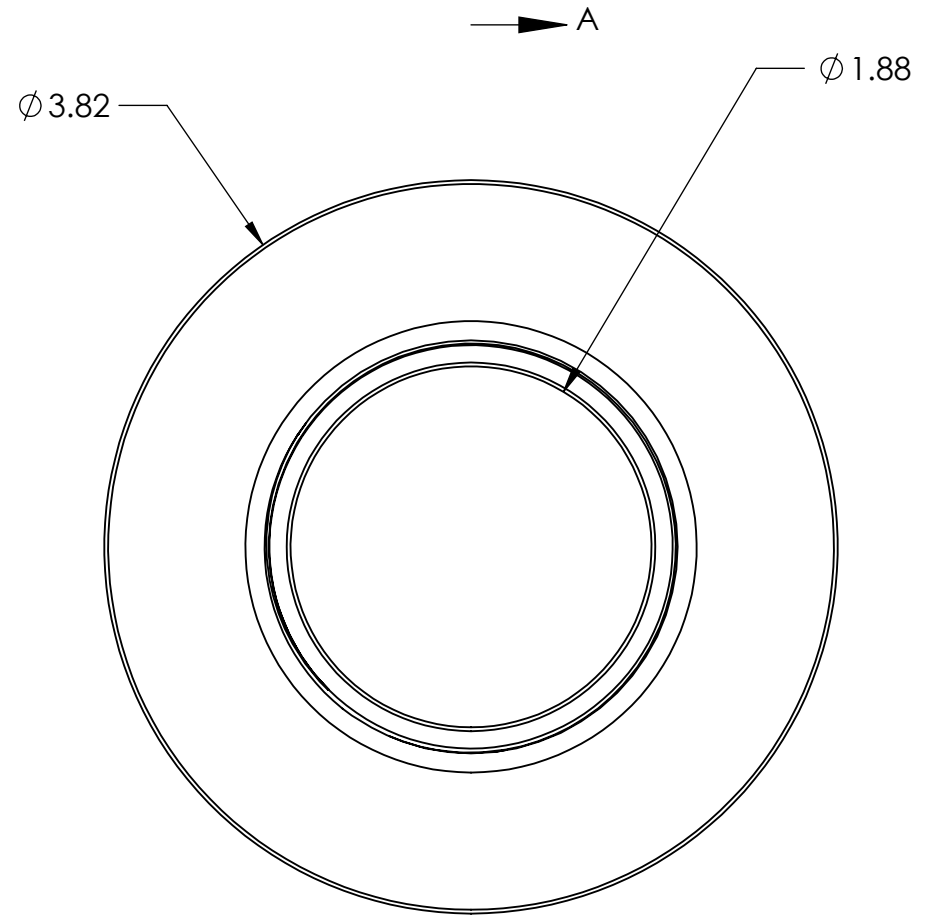


PN 5672  
 STK. NO. 19914



DSI 3.500 - 24 UNS-2A



UNLESS OTHERWISE SPECIFIED: DIMENSIONS ARE IN INCHES TWO PLACE DECIMAL ±.007 THREE PLACE DECIMAL ±.003	DRAWN	NAME	DATE	<b>Optec Inc.</b>
	CHECKED	LD	9/24/13	
	ENG APPR.			
	MFG APPR.			
MATERIAL	CONTRACT			TITLE:
6061-T6	DSI			DSI 3.500" - 24 TO STL THREAD
FINISH	SEE NOTES			SIZE DWG. NO.
DO NOT SCALE DRAWING				<b>B</b> 19-06786
	SCALE: 1:1	WEIGHT:	SHEET 1 OF 1	