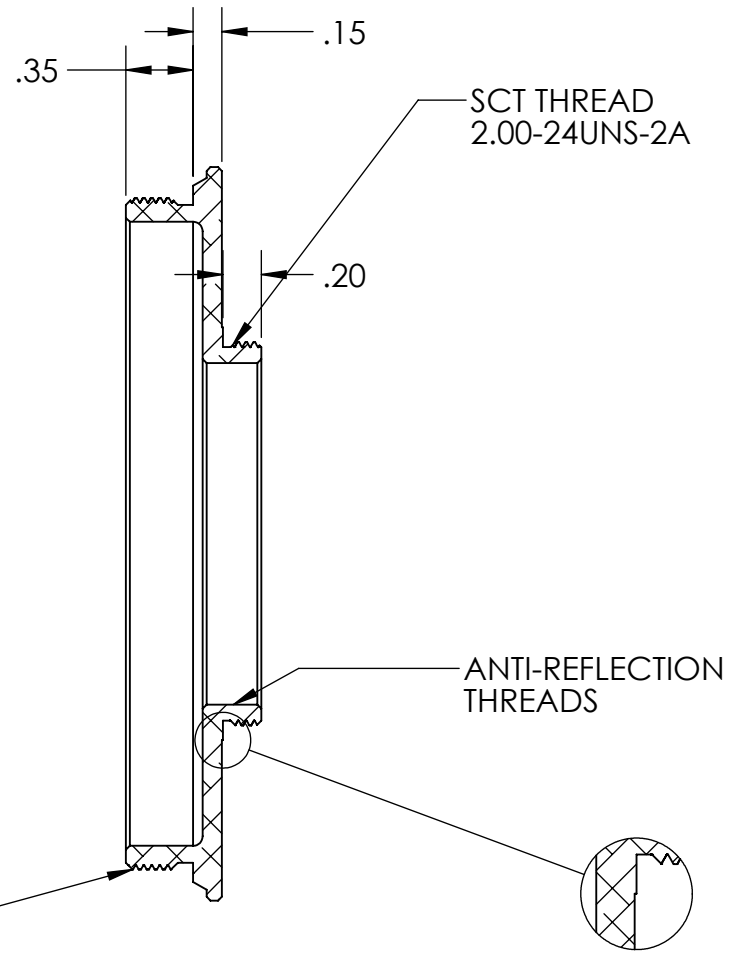
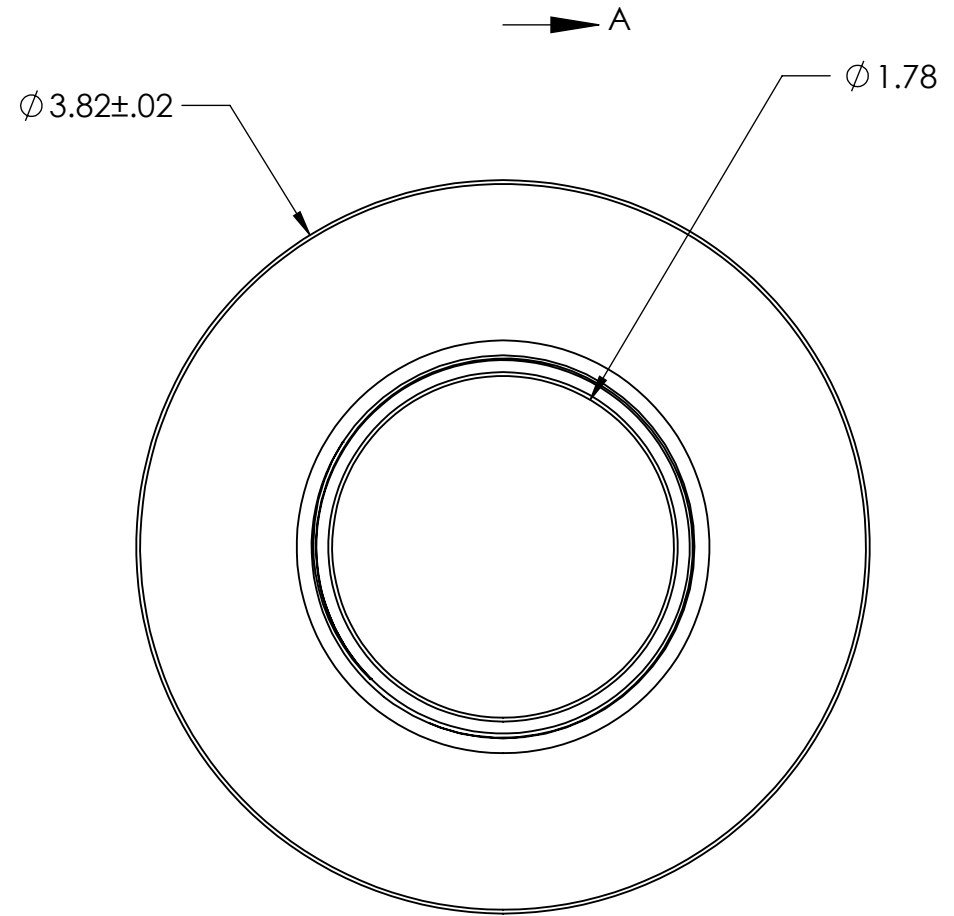


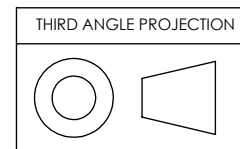
PN 5879
 STK. NO. 19913



DSI 3.500 - 24 UNS-2A



A



UNLESS OTHERWISE SPECIFIED: DIMENSIONS ARE IN INCHES TWO PLACE DECIMAL $\pm .007$ THREE PLACE DECIMAL $\pm .003$	DRAWN	NAME	DATE	Optec Inc.
	CHECKED	LD	4/24/17	
	ENG APPR.			
	MFG APPR.			
MATERIAL	CONTRACT			TITLE: DSI 3.500" - 24 TO SCT THREAD
6061-T6	DSI			
FINISH	SEE NOTES			SIZE DWG. NO. B 19-06794
DO NOT SCALE DRAWING				SCALE: 1:1 WEIGHT: SHEET 1 OF 1