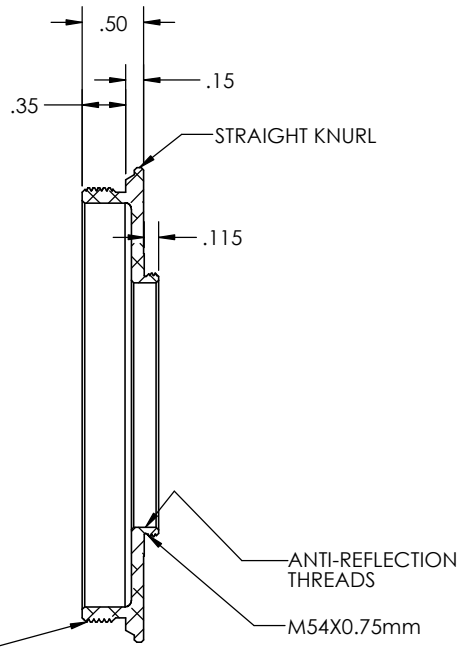
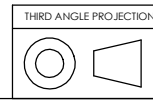
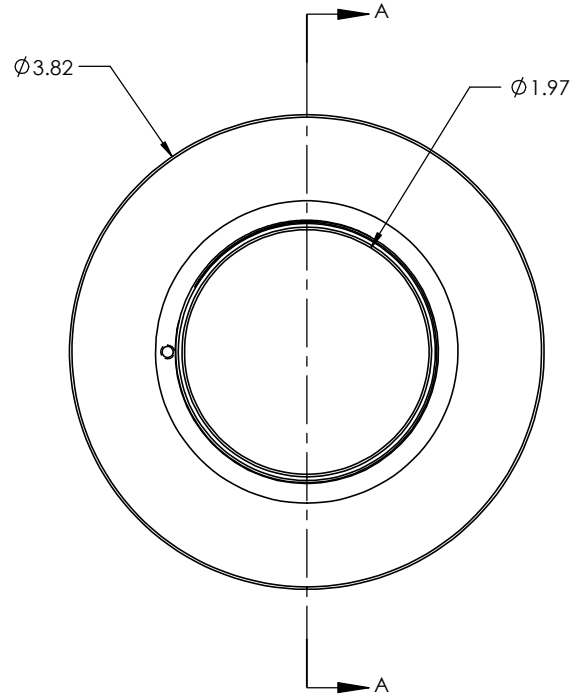


PN 5942
 STK. NO. 19911



DSI 3.500 - 24 UNS-2A



UNLESS OTHERWISE SPECIFIED: DIMENSIONS ARE IN INCHES TWO PLACE DECIMAL $\pm .007$ THREE PLACE DECIMAL $\pm .003$	DRAWN	NAME	DATE	Optec Inc.
	CHECKED	LD	2/1/18	
	ENG APPR.			
	MFG APPR.			
MATERIAL	6061-T6	CONTRACT		TITLE: DSI 3.50-24 TO M54X0.75mm
FINISH	SEE NOTES	DSI		SIZE DWG. NO. B 19-06798
DO NOT SCALE DRAWING				SCALE: 1:1 WEIGHT: SHEET 1 OF 1