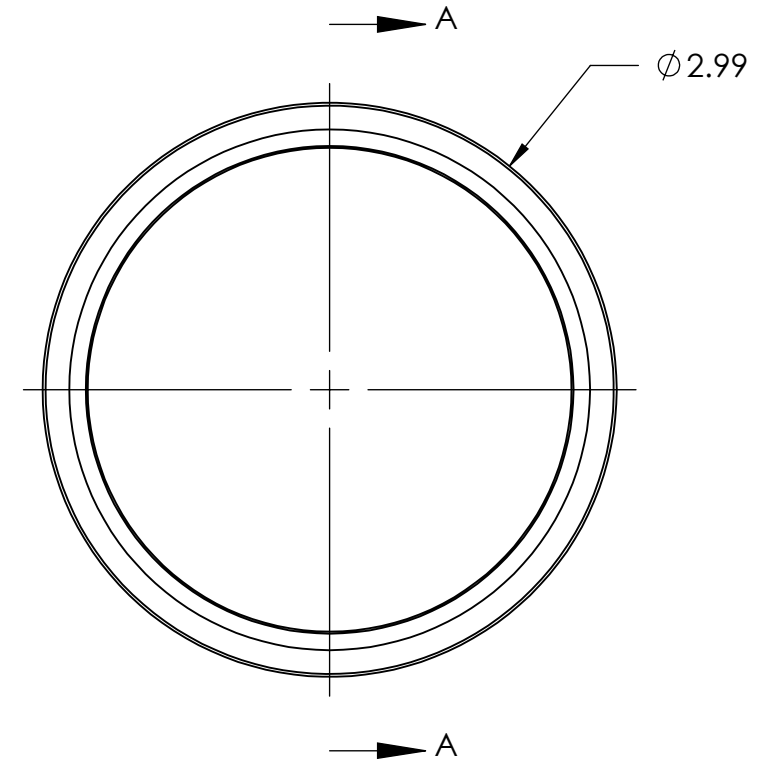
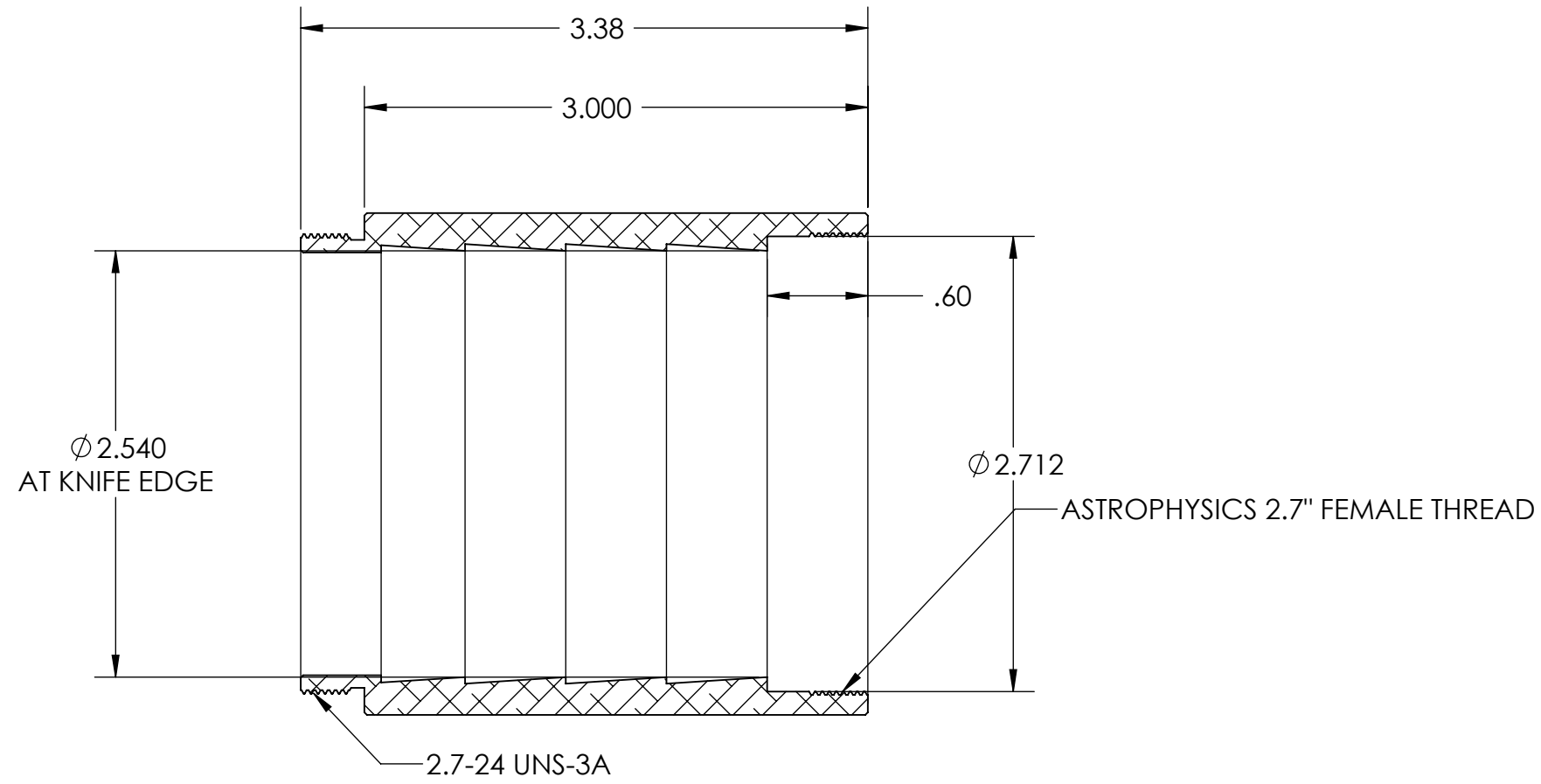


PN 5072  
STK NO 19886



UNLESS OTHERWISE SPECIFIED: DIMENSIONS ARE IN INCHES TOLERANCES: FRACTIONAL $\pm$ ANGULAR: MACH $\pm$ BEND $\pm$ TWO PLACE DECIMAL $\pm .007$ THREE PLACE DECIMAL $\pm .003$	DRAWN	NAME	DATE	<b>Optec Inc.</b>	
	CHECKED	BV	4/29/10		
	ENG APPR.				
	MFG APPR.				
	Q.A.			TITLE: 3.00" EXTENSION	
THIRD ANGLE PROJECTION	MATERIAL	CONTRACT		SIZE	DWG. NO.
	6061-T6	AP 2.7 ADAPTERS		<b>B</b>	19-06765
	FINISH			SCALE: 1:1	WEIGHT:
	SEE NOTES				
	DO NOT SCALE DRAWING				SHEET 1 OF 1