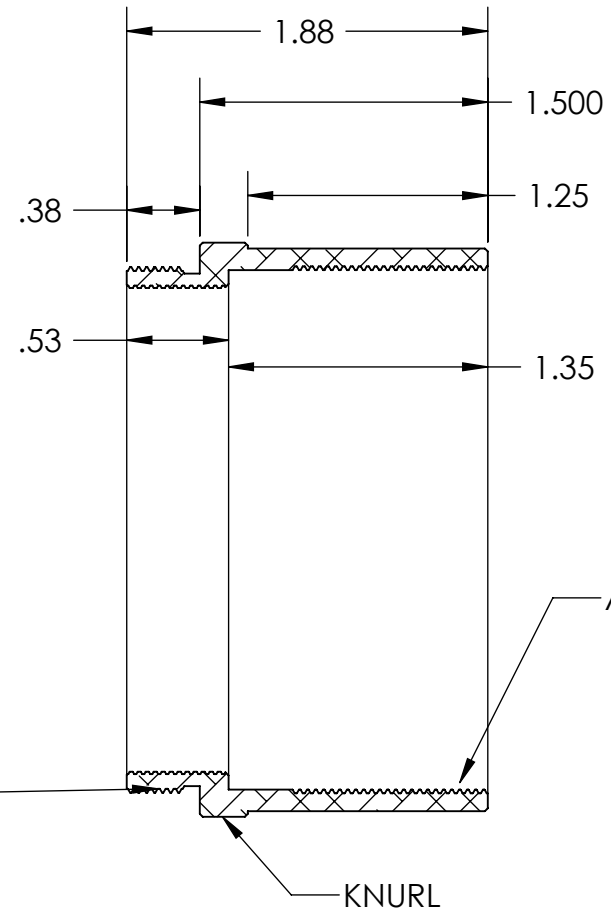


PN 5071
STK NO 19885

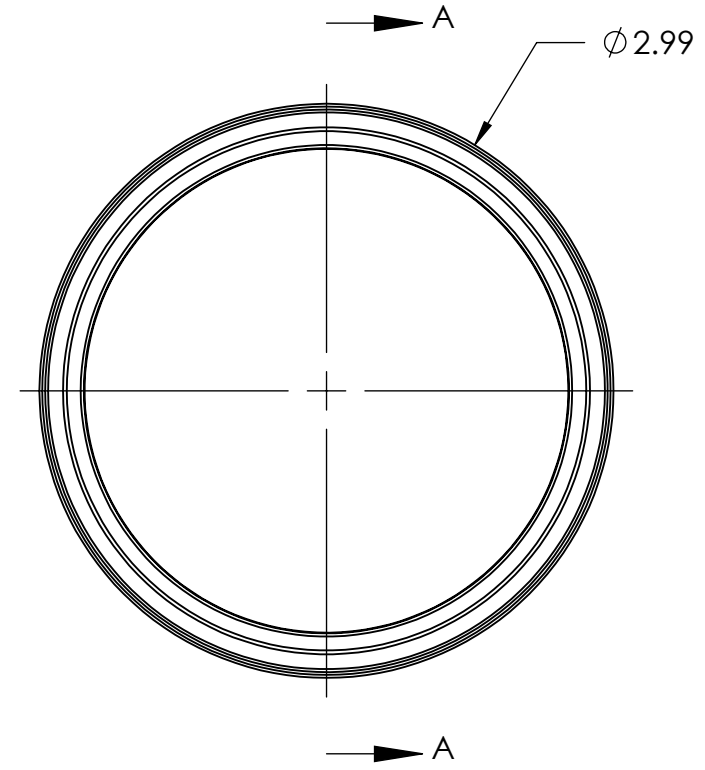


ASTRO-PHYSICS 2.7" FEMALE THREAD

2.740-24 UNS-3A

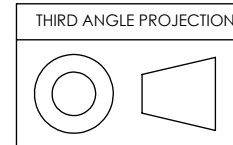
KNURL

SECTION A-A



$\phi 2.99$

UNLESS OTHERWISE SPECIFIED: DIMENSIONS ARE IN INCHES TOLERANCES: FRACTIONAL \pm ANGULAR: MACH \pm BEND \pm TWO PLACE DECIMAL $\pm .007$ THREE PLACE DECIMAL $\pm .003$	DRAWN	NAME	DATE	Optec Inc.
	CHECKED	BV	4/29/10	
	ENG APPR.			
	MFG APPR.			
				TITLE:
				1.50" EXTENSION
				CONTRACT
				AP 2.7 ADAPTERS
				SIZE DWG. NO.
				B 19-06764
				SCALE: 1:1 WEIGHT: SHEET 1 OF 1



THIRD ANGLE PROJECTION

MATERIAL 6061-T6

FINISH SEE NOTES

DO NOT SCALE DRAWING