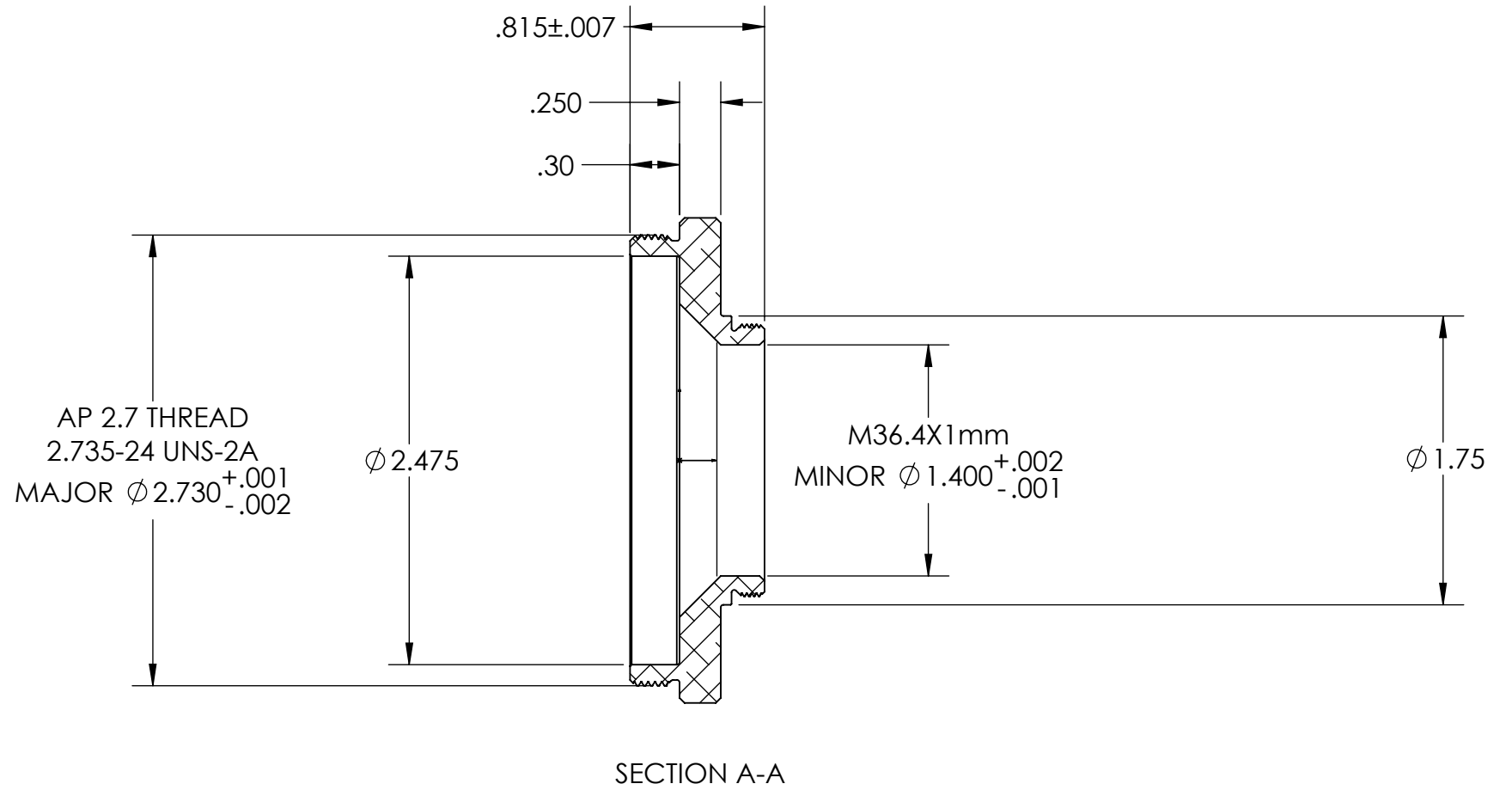
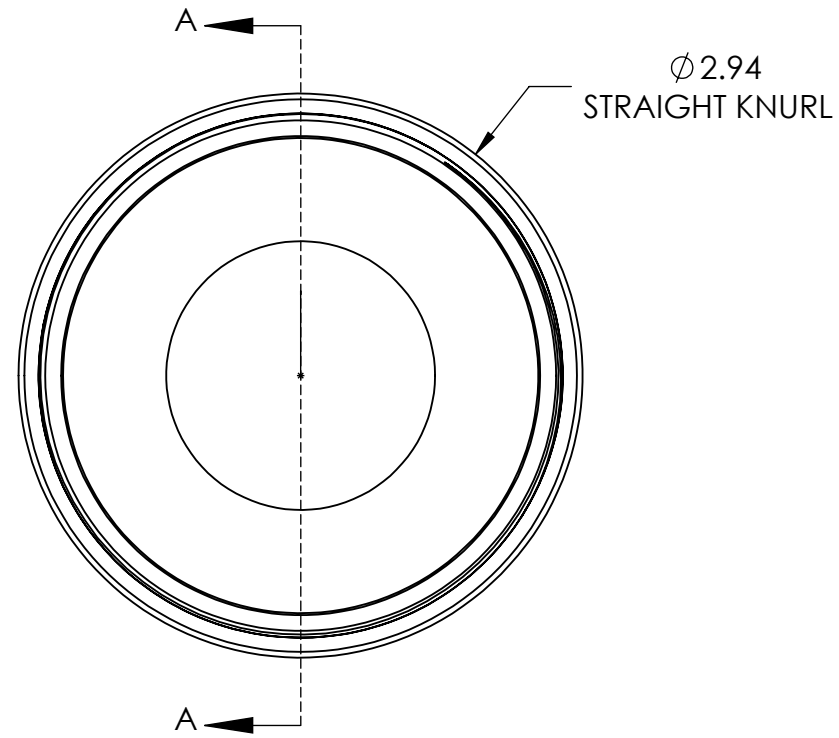


PN 5803
 STK NO. 19879



UNLESS OTHERWISE SPECIFIED: DIMENSIONS ARE IN INCHES TWO PLACE DECIMAL ±.007 THREE PLACE DECIMAL ±.003	DRAWN	LD	8/26/15	Optec Inc.	
	CHECKED				TITLE: AP 2.7 TO T-THREAD/ TAKAHASHI M36.4X1mm
	MATERIAL	6061-T6	CONTRACT		SIZE DWG. NO. B 19-06770
	FINISH	SEE NOTES	AP 2.7 ADAPTERS		SCALE: 1:1 WEIGHT: SHEET 1 OF 1
DO NOT SCALE DRAWING					

