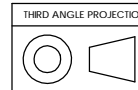
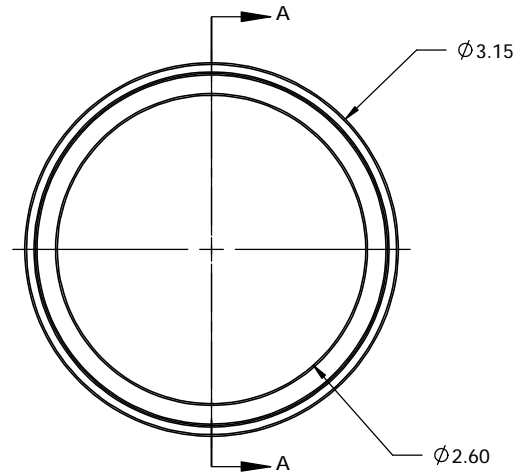
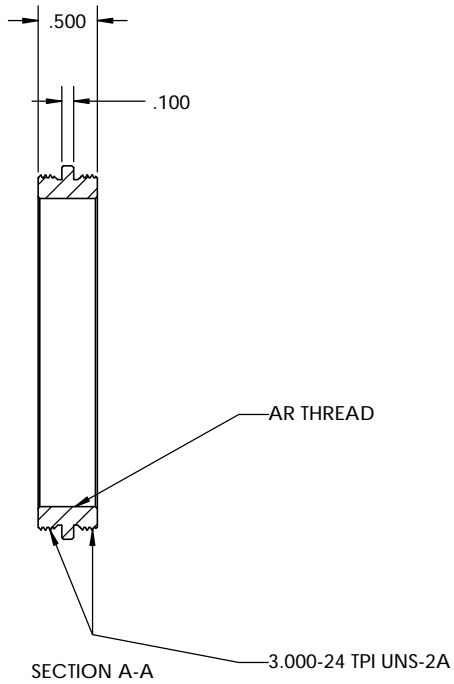


PN: 5054  
 STK No: 19370



UNLESS OTHERWISE SPECIFIED: DIMENSIONS ARE IN INCHES TOLERANCES: FRACTIONAL ± ANGULAR: MACH ± BEND ± TWO PLACE DECIMAL ±.007 THREE PLACE DECIMAL ±.003	DRAWN	NAME	DATE	<b>Optec Inc.</b>
	CHECKED	BV	4/5/10	
	ENG APPR.			
	MFG APPR.			
	Q.A.			TITLE: <b>MALE TO MALE MOUNT</b>
MATERIAL <b>6061-T6</b>	CONTRACT			SIZE DWG. NO.
FINISH FROSTKOTE BRIGHT DIP BLACK	3"X24TPI ADAPTERS			<b>B</b> <b>19-03810</b>
DO NOT SCALE DRAWING				SCALE: 1:1 WEIGHT: SHEET 1 OF 1