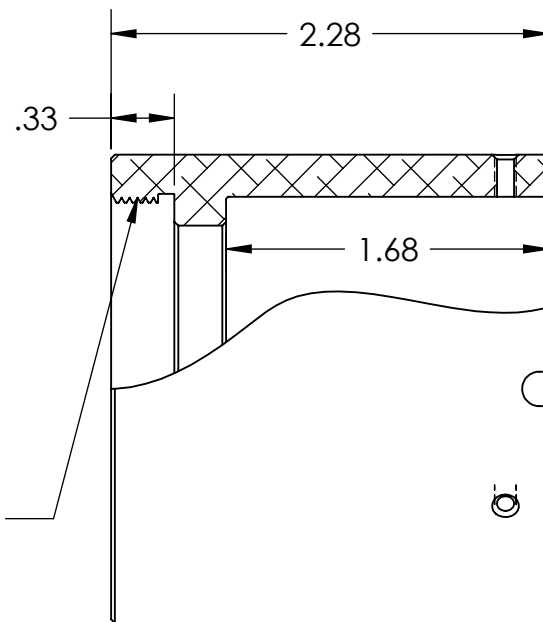
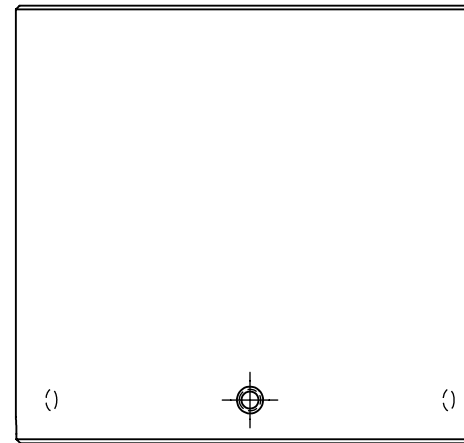
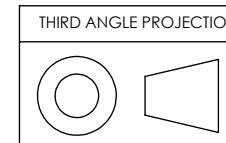
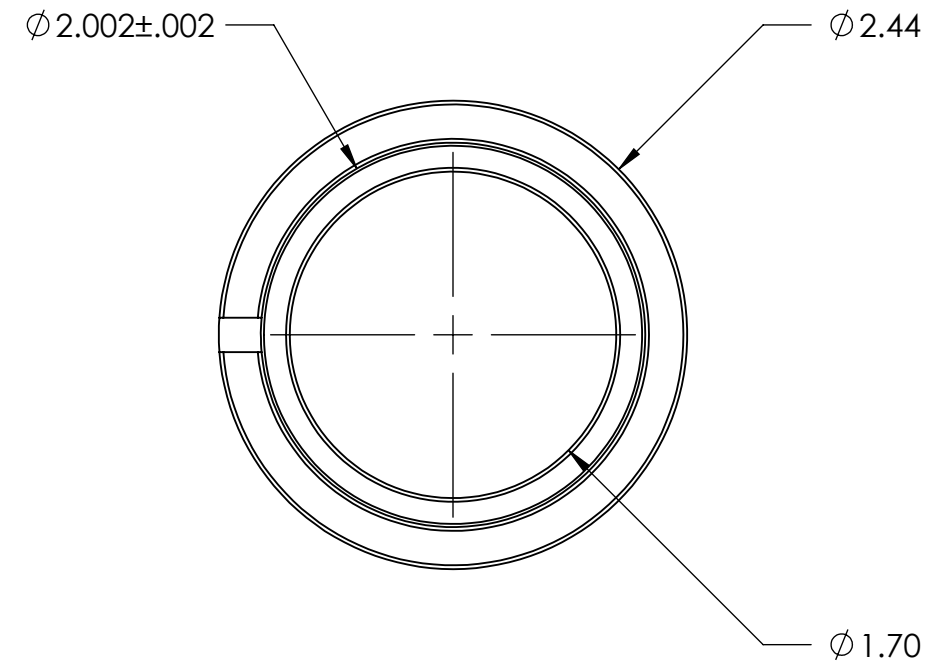


PN 3123
 STK. NO. 17401



2.00" CELESTRON/MEADE THREAD (SCT)



UNLESS OTHERWISE SPECIFIED: DIMENSIONS ARE IN INCHES TOLERANCES: FRACTIONAL ± ANGULAR: MACH ± BEND ± TWO PLACE DECIMAL ±.007 THREE PLACE DECIMAL ±.003	DRAWN	NAME	DATE	Optec Inc.
	CHECKED	LD	06/21/10	
	ENG APPR.			
	MFG APPR.			
MATERIAL	6061-T6	CONTRACT		TITLE: TELESCOPE ADAPTER, SCT
FINISH	FROSTKOTE BRIGHT DIP BLACK	MAXFIELD		
DO NOT SCALE DRAWING		SIZE	DWG. NO.	
		B	17-06118	
		SCALE: 1:1	WEIGHT:	SHEET 1 OF 1