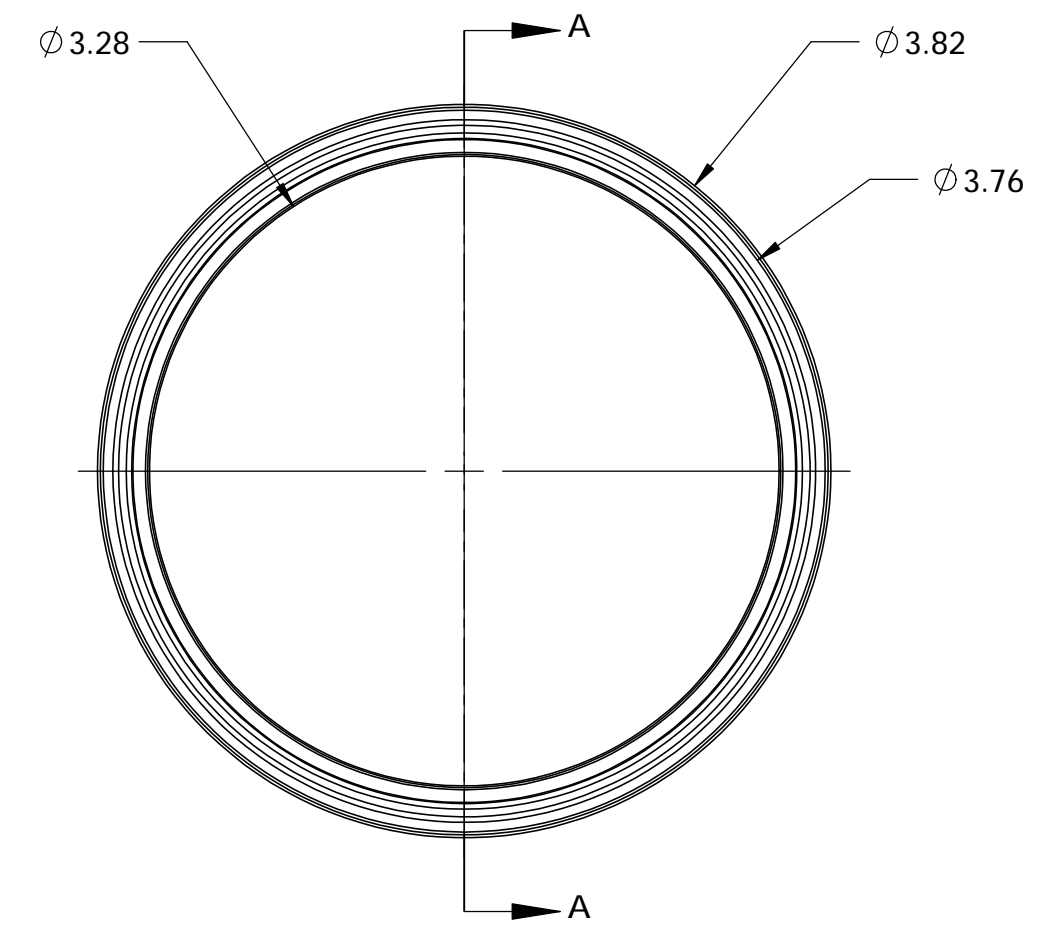
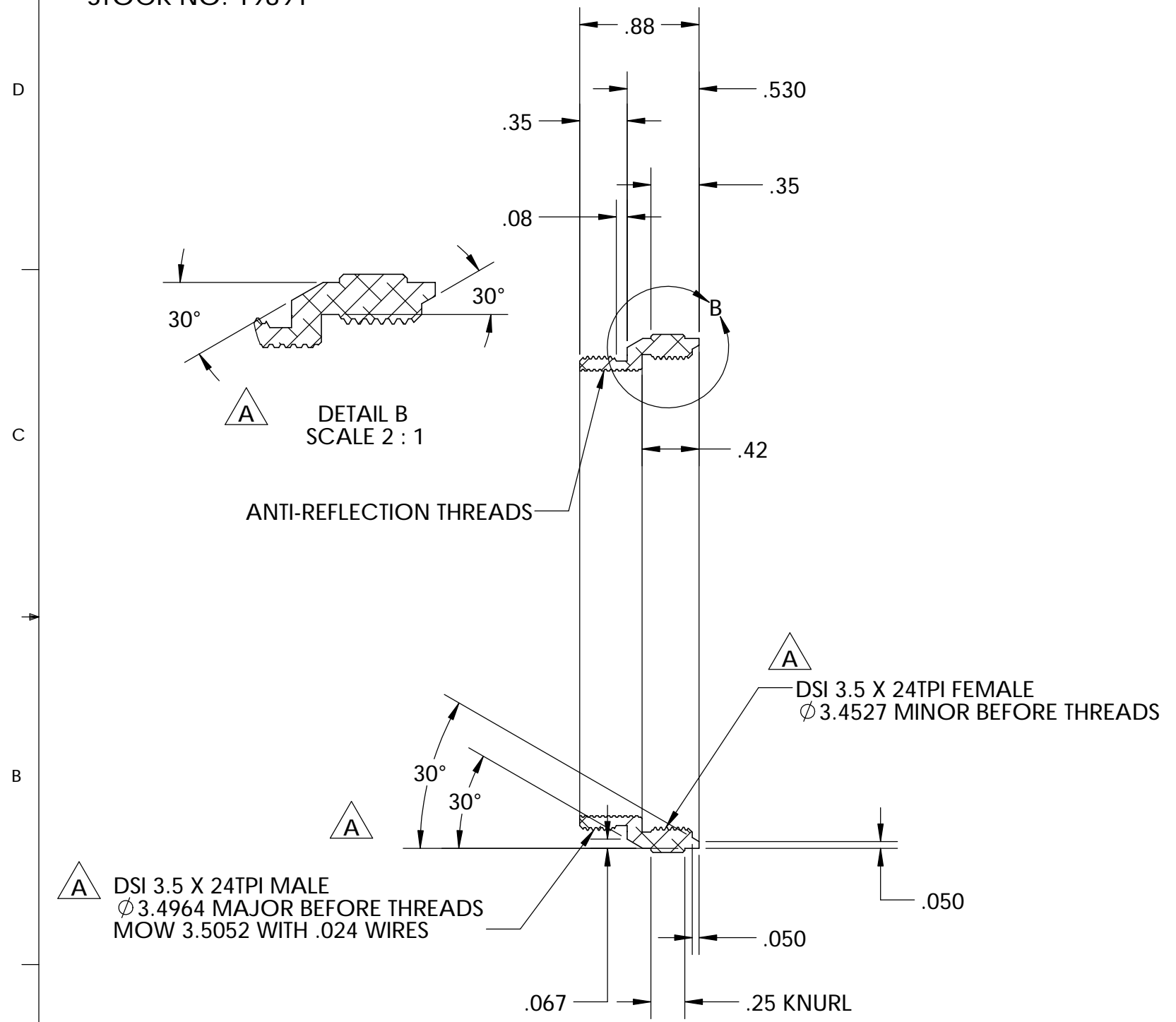


PN 5038
STOCK NO. 19891

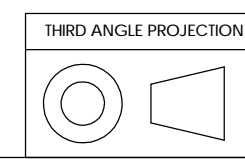
| REVISIONS | | | | |
|-----------|------|--|-----------|----------|
| ZONE | REV. | DESCRIPTION | DATE | APPROVED |
| | A | REVISED DSI 3.5X24TPI THREAD SPECS. ADDED DETAIL B WITH 30-DEGREE CONTACT SURFACE FOR SELF-CENTERING SPACER SET. | 3/21/2011 | JD |



A

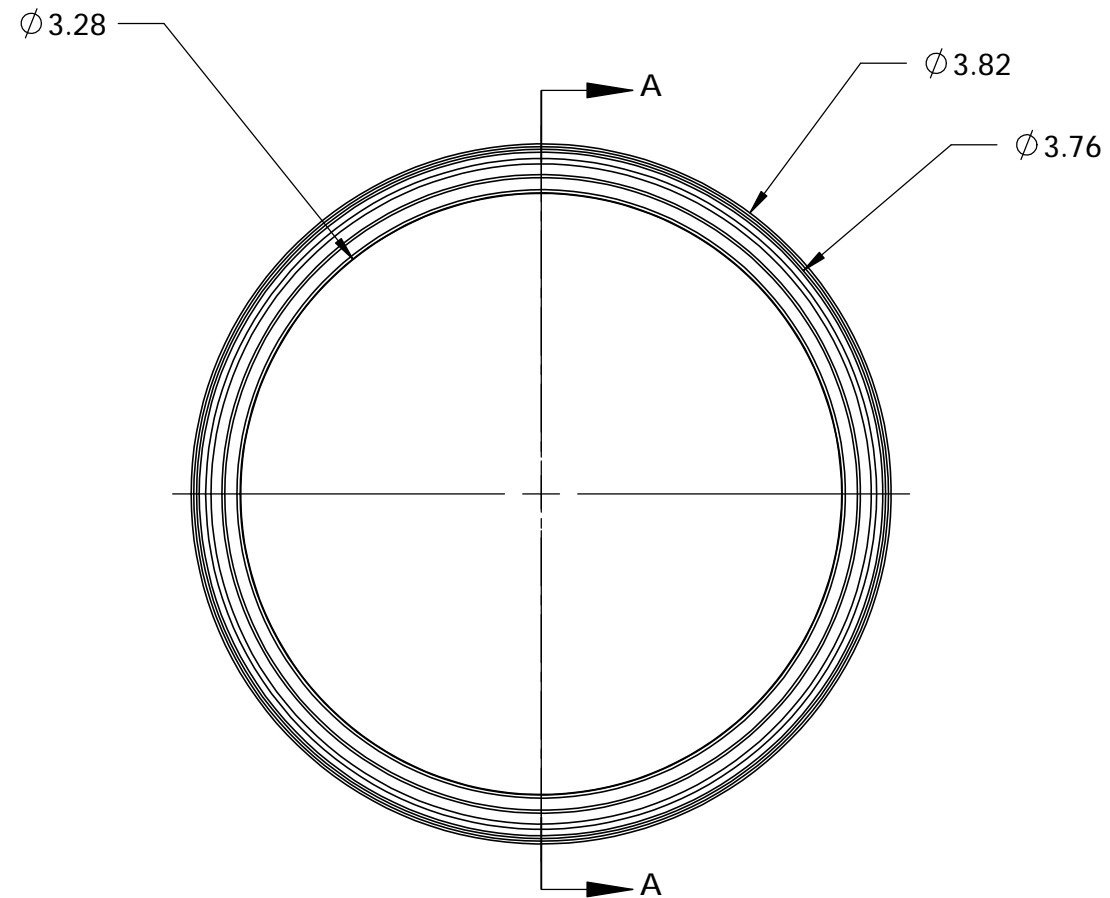
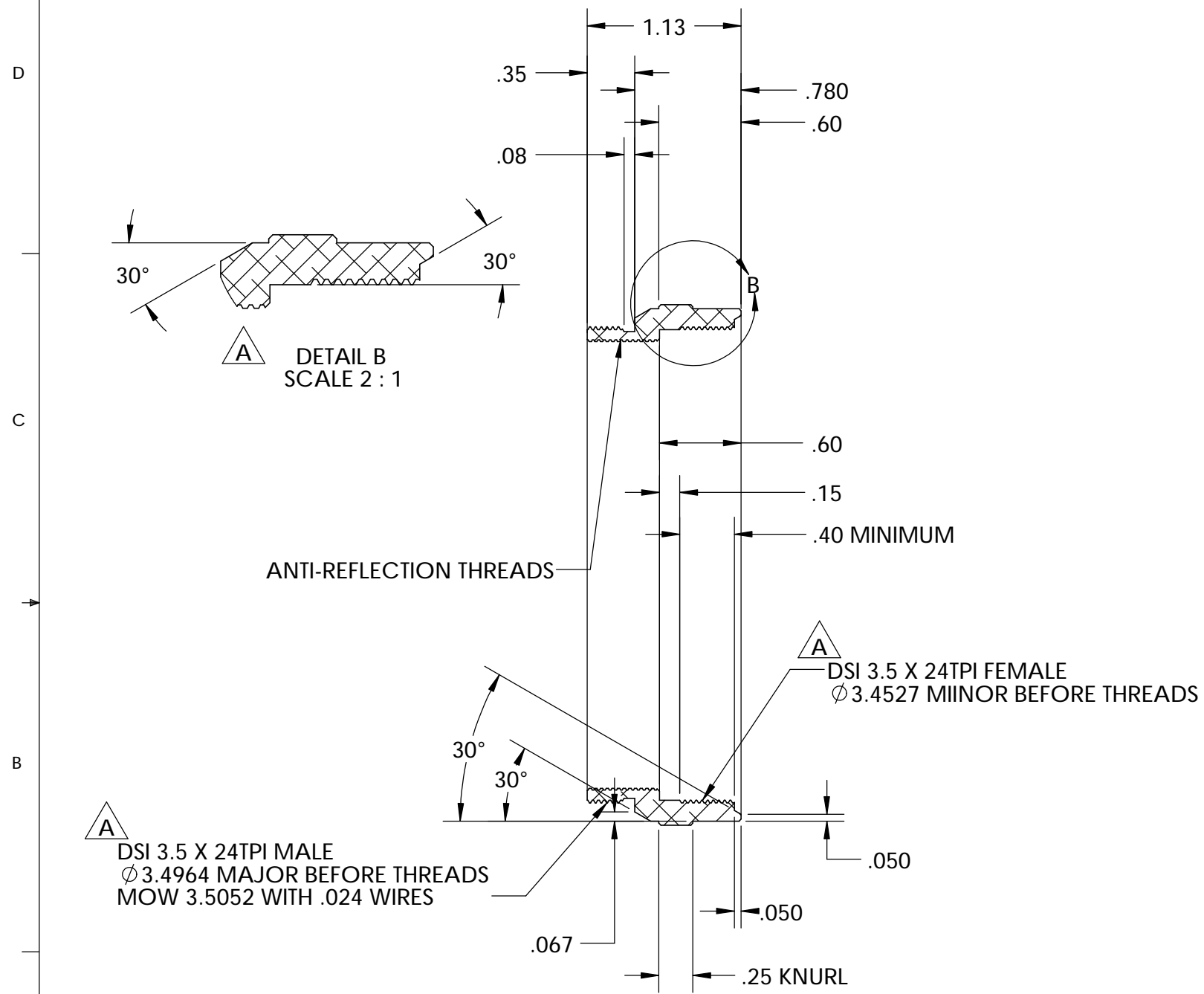
SECTION A-A

| | | | | |
|--|-----------|-------------|-----------------|---------------------------------|
| UNLESS OTHERWISE SPECIFIED: DIMENSIONS ARE IN INCHES TOLERANCES: FRACTIONAL ± ANGULAR: MACH ± BEND ± TWO PLACE DECIMAL ±.007 THREE PLACE DECIMAL ±.003 | DRAWN | NAME | DATE | Optec Inc. |
| | CHECKED | BV | 4/2/10 | |
| | ENG APPR. | | | |
| | MFG APPR. | | | |
| MATERIAL | 6061-T6 | CONTRACT | | TITLE: 1/2" EXTENSION |
| FINISH | SEE NOTES | DSI 3.5 X24 | | |
| DO NOT SCALE DRAWING | | SIZE | DWG. NO. | |
| | | B | 19-06771 | |
| | | SCALE: 1:1 | WEIGHT: | SHEET 1 OF 1 |



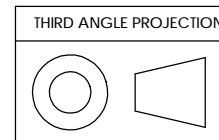
PN: 5039
 STK No: 19892

| REVISIONS | | | | |
|-----------|------|--|-----------|----------|
| ZONE | REV. | DESCRIPTION | DATE | APPROVED |
| | A | REVISED DSI 3.5X24TPI THREAD SPECS. ADDED DETAIL B WITH 30-DEGREE CONTACT SURFACE FOR SELF-CENTERING SPACER SET. | 3/21/2011 | JD |



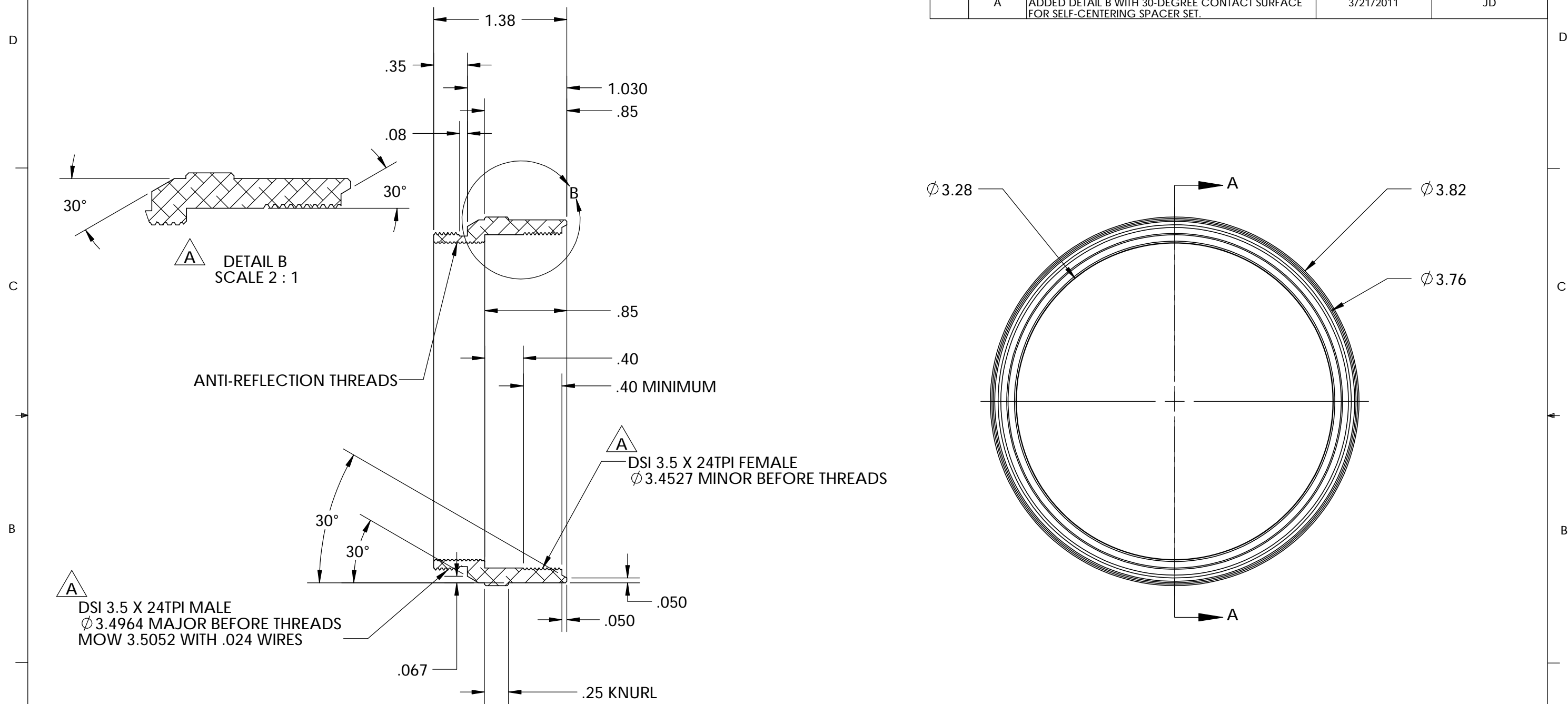
SECTION A-A
 SCALE 1 : 1

| | | | | |
|--|--------------|------------|-----------------|-------------------|
| UNLESS OTHERWISE SPECIFIED: DIMENSIONS ARE IN INCHES TOLERANCES: FRACTIONAL ± ANGULAR: MACH ± BEND ± TWO PLACE DECIMAL ±.007 THREE PLACE DECIMAL ±.003 | DRAWN | NAME | DATE | Optec Inc. |
| | CHECKED | BV | 4/2/10 | |
| | ENG APPR. | | | |
| | MFG APPR. | | | |
| MATERIAL | CONTRACT | | | TITLE: |
| 6061-T6 | DSI 3.5 X 24 | | | 3/4" EXTENSION |
| FINISH | SEE NOTES | SIZE | DWG. NO. | |
| DO NOT SCALE DRAWING | | B | 19-06772 | |
| | | SCALE: 1:2 | WEIGHT: | SHEET 1 OF 1 |



PN 5040
STOCK NO. 19893

| REVISIONS | | | | |
|-----------|------|--|-----------|----------|
| ZONE | REV. | DESCRIPTION | DATE | APPROVED |
| | A | REVISED DSI 3.5X24TPI THREAD SPECS. ADDED DETAIL B WITH 30-DEGREE CONTACT SURFACE FOR SELF-CENTERING SPACER SET. | 3/21/2011 | JD |



A
DSI 3.5 X 24TPI MALE
Ø 3.4964 MAJOR BEFORE THREADS
MOW 3.5052 WITH .024 WIRES

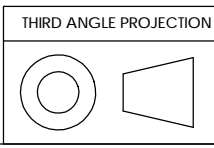
A
DETAIL B
SCALE 2 : 1

SECTION A-A
SCALE 1 : 1

A
DSI 3.5 X 24TPI FEMALE
Ø 3.4527 MINOR BEFORE THREADS

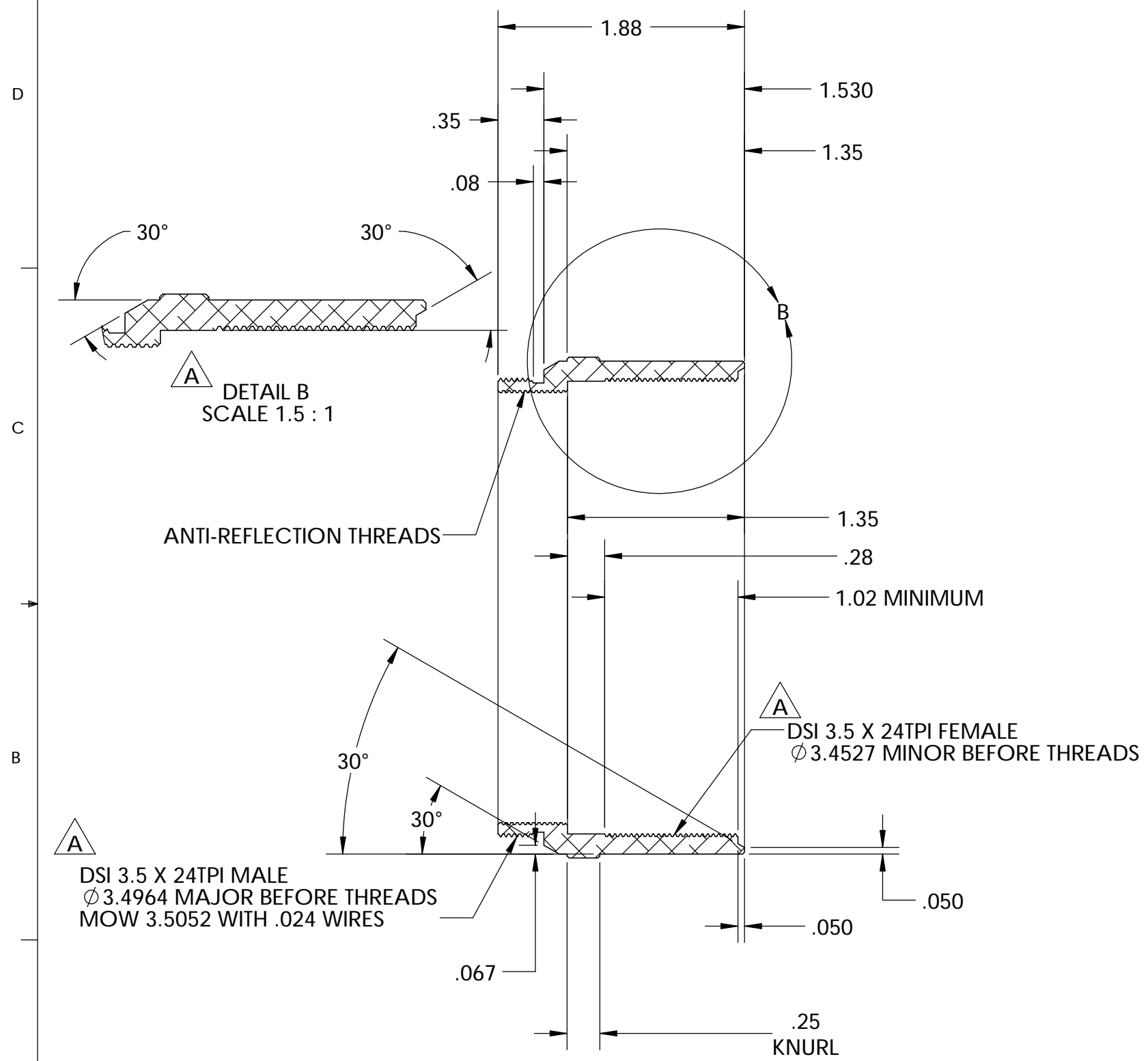
| | | | |
|--|--------------|------|--------|
| UNLESS OTHERWISE SPECIFIED: DIMENSIONS ARE IN INCHES TOLERANCES: FRACTIONAL ± ANGULAR: MACH ± BEND ± TWO PLACE DECIMAL ±.007 THREE PLACE DECIMAL ±.003 | DRAWN | NAME | DATE |
| | CHECKED | BV | 4/2/10 |
| | ENG APPR. | | |
| | MFG APPR. | | |
| | Q.A. | | |
| MATERIAL | CONTRACT | | |
| 6061-T6 | DSI 3.5 X 24 | | |
| FINISH | SEE NOTES | | |
| DO NOT SCALE DRAWING | | | |

| | | |
|-------------------|-----------------|--------------|
| Optec Inc. | | |
| TITLE: | | |
| 1" EXTENSION | | |
| SIZE | DWG. NO. | |
| B | 19-06773 | |
| SCALE: 1:2 | WEIGHT: | SHEET 1 OF 1 |

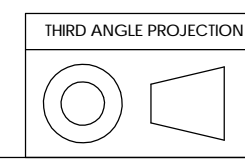
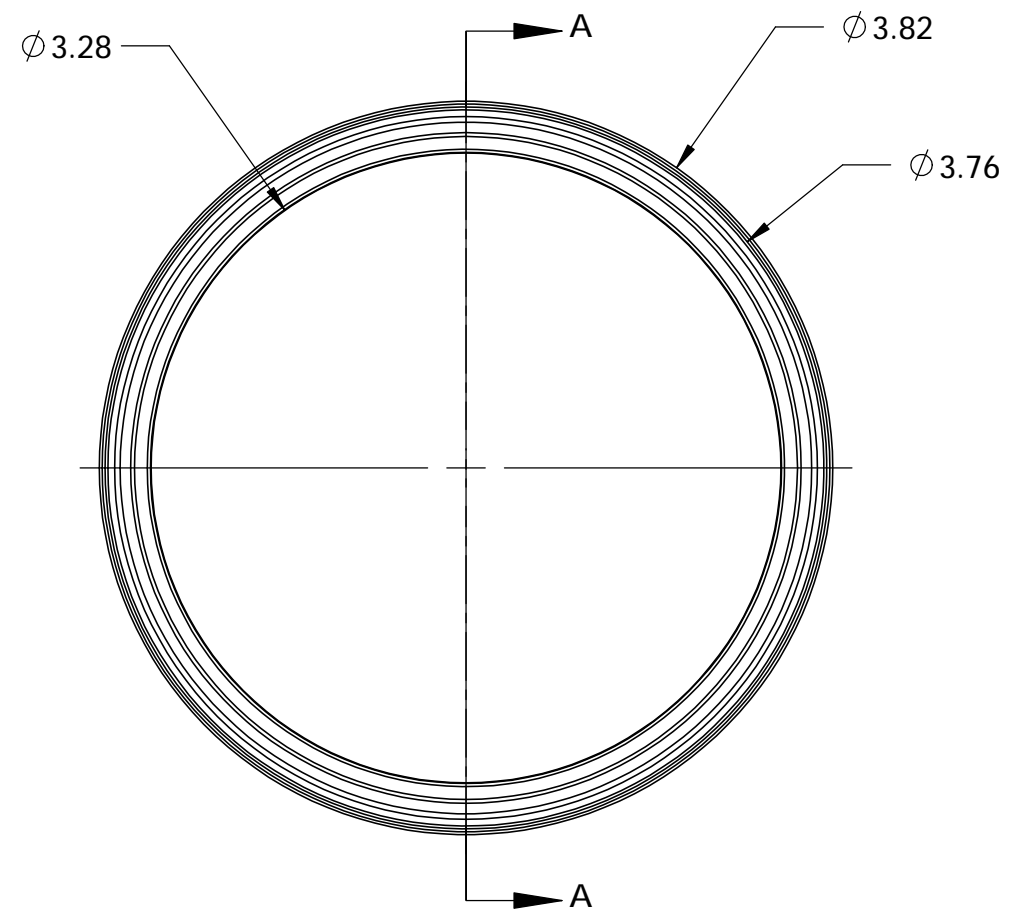


PN 5041
STOCK NO. 19894

| REVISIONS | | | | |
|-----------|------|--|-----------|----------|
| ZONE | REV. | DESCRIPTION | DATE | APPROVED |
| | A | REVISED DSI 3.5X24TPI THREAD SPECS. ADDED DETAIL B WITH 30-DEGREE CONTACT SURFACE FOR SELF-CENTERING SPACER SET. | 3/21/2011 | JD |



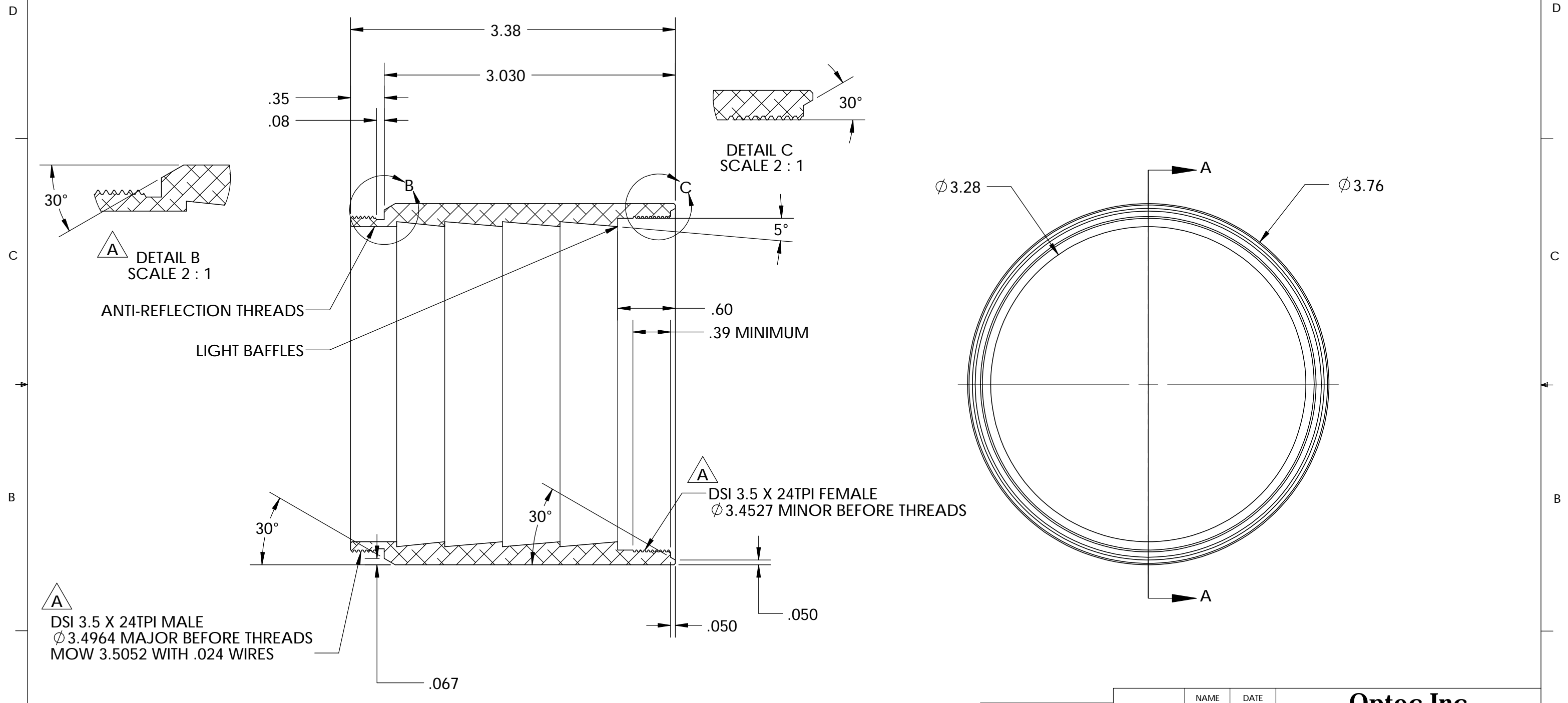
SECTION A-A
SCALE 1 : 1



| | | | | |
|--|--------------|----------|--------------|-----------------------------------|
| UNLESS OTHERWISE SPECIFIED: DIMENSIONS ARE IN INCHES TOLERANCES: FRACTIONAL \pm ANGULAR: MACH \pm BEND \pm TWO PLACE DECIMAL \pm .007 THREE PLACE DECIMAL \pm .003 | DRAWN | NAME | DATE | Optec Inc. |
| | CHECKED | BV | 4/2/10 | |
| | ENG APPR. | | | |
| | MFG APPR. | | | |
| MATERIAL | CONTRACT | | | TITLE: 1-1/2" EXTENSION |
| 6061-T6 | DSI 3.5 X 24 | | | |
| FINISH | SIZE | DWG. NO. | | B 19-06774 |
| SEE NOTES | B | | | |
| DO NOT SCALE DRAWING | SCALE: 1:2 | WEIGHT: | SHEET 1 OF 1 | |

PN 5050
STOCK NO. 19895

| REVISIONS | | | | |
|-----------|------|--|-----------|----------|
| ZONE | REV. | DESCRIPTION | DATE | APPROVED |
| | A | REVISED DSI 3.5X24TPI THREAD SPECS. ADDED DETAIL B WITH 30-DEGREE CONTACT SURFACE FOR SELF-CENTERING SPACER SET. | 3/21/2011 | JD |



A
DSI 3.5 X 24TPI MALE
Ø 3.4964 MAJOR BEFORE THREADS
MOW 3.5052 WITH .024 WIRES

A
DSI 3.5 X 24TPI FEMALE
Ø 3.4527 MINOR BEFORE THREADS

SECTION A-A
SCALE 1 : 1

| | | | | | |
|---|--|------------|------|--------------|-------------------------------|
| UNLESS OTHERWISE SPECIFIED: | | DRAWN | NAME | DATE | Optec Inc. |
| DIMENSIONS ARE IN INCHES TOLERANCES: FRACTIONAL ± ANGULAR: MACH ± BEND ± TWO PLACE DECIMAL ±.007 THREE PLACE DECIMAL ±.003 | | CHECKED | BV | 4/2/10 | |
| MATERIAL | | ENG APPR. | | | |
| FINISH | | MFG APPR. | | | |
| DO NOT SCALE DRAWING | | CONTRACT | | DSI 3.5 X 24 | TITLE: 3" EXTENSION |
| THIRD ANGLE PROJECTION | | SIZE | | DWG. NO. | B 19-06775 |
| | | SCALE: 1:2 | | WEIGHT: | |
| | | | | | SHEET 1 OF 1 |

