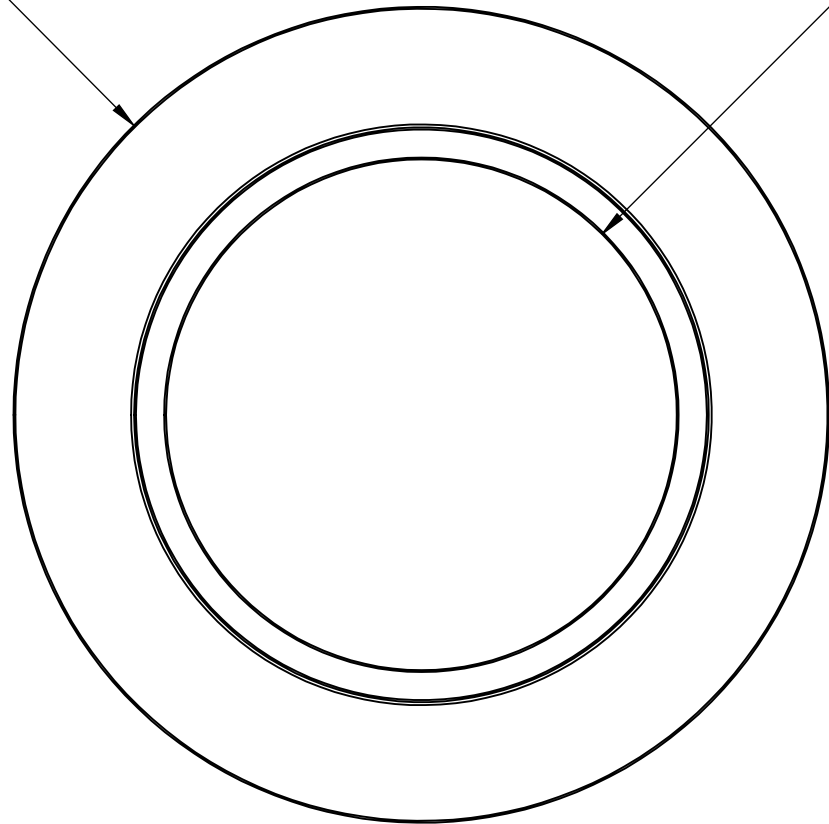


PN 5534
 STK NO 17839

Ø 4.25

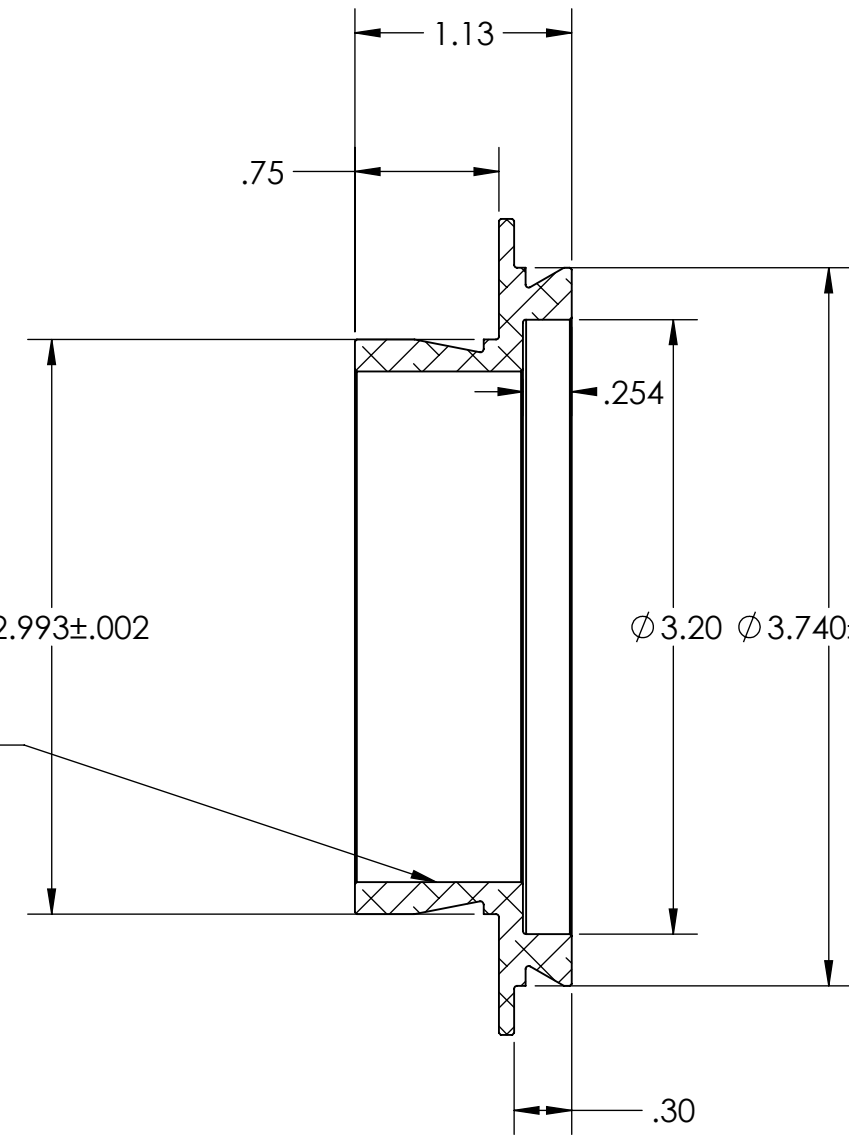
Ø 2.66



ANTI-REFLECTION THREAD

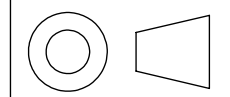
Ø 2.993±.002

Ø 3.20 Ø 3.740±.002



SECTION A-A

THIRD ANGLE PROJECTION



UNLESS OTHERWISE SPECIFIED: DIMENSIONS ARE IN INCHES TWO PLACE DECIMAL ±.007 THREE PLACE DECIMAL ±.003	DRAWN	NAME	DATE	Optec Inc.
	CHECKED	LD	12/19/11	
	ENG APPR.			
	MFG APPR.			
MATERIAL: 6061-T6	Q.A.			TITLE:
STOCK SIZE: 0.00 X 0.00 X .00	CONTRACT			3-INCH TO FLI ATLAS
FINISH SEE NOTES	3-INCH ADAPTERS			SIZE DWG. NO. B 19-06701
DO NOT SCALE DRAWING				SCALE: 1:1 WEIGHT: SHEET 1 OF 1