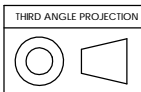
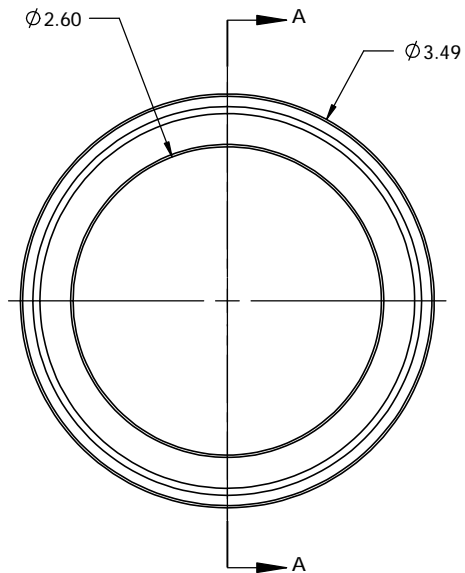
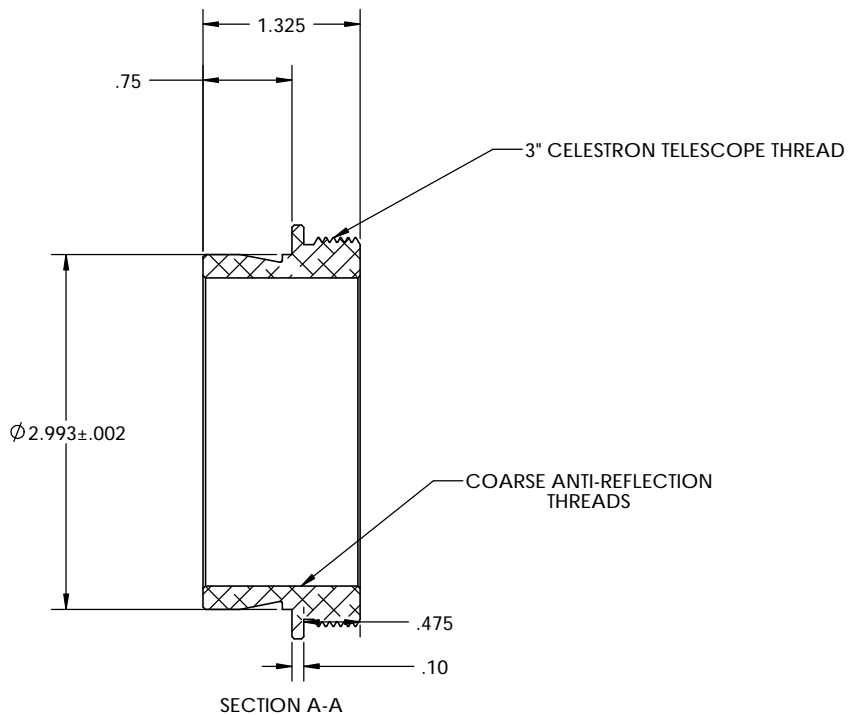


PN 4510
 STK. NO. 17837



UNLESS OTHERWISE SPECIFIED: DIMENSIONS ARE IN INCHES TOLERANCES: FRACTIONAL ± ANGULAR: MACH ± BEND ± TWO PLACE DECIMAL ±.007 THREE PLACE DECIMAL ±.003	DRAWN	NAME	DATE	Optec, Inc.
	CHECKED	LD	07/03/09	
	ENG APPR.			
	MFG APPR.			
	Q.A.			TITLE: 3" TO CELESTRON 3" THRD
MATERIAL 6061-T6	CONTRACT			SIZE DWG. NO.
FINISH SATIN ETCH BLACK	3-INCH ADPTERS			B 17-06696
DO NOT SCALE DRAWING				SCALE: 1:1 WEIGHT: SHEET 1 OF 1