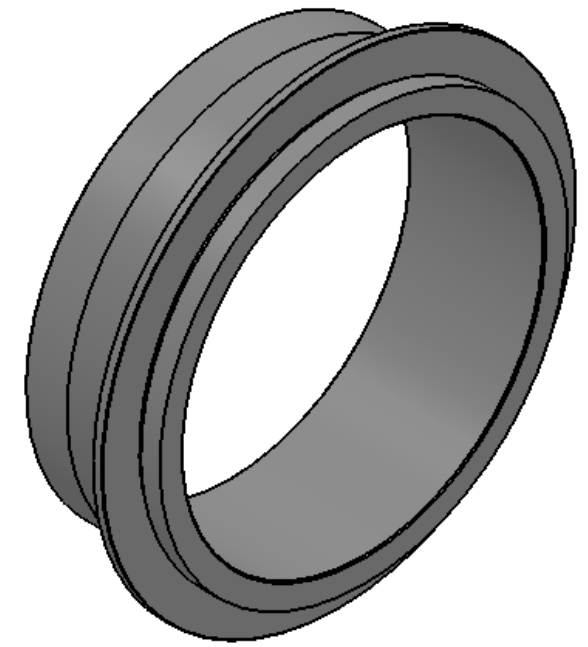
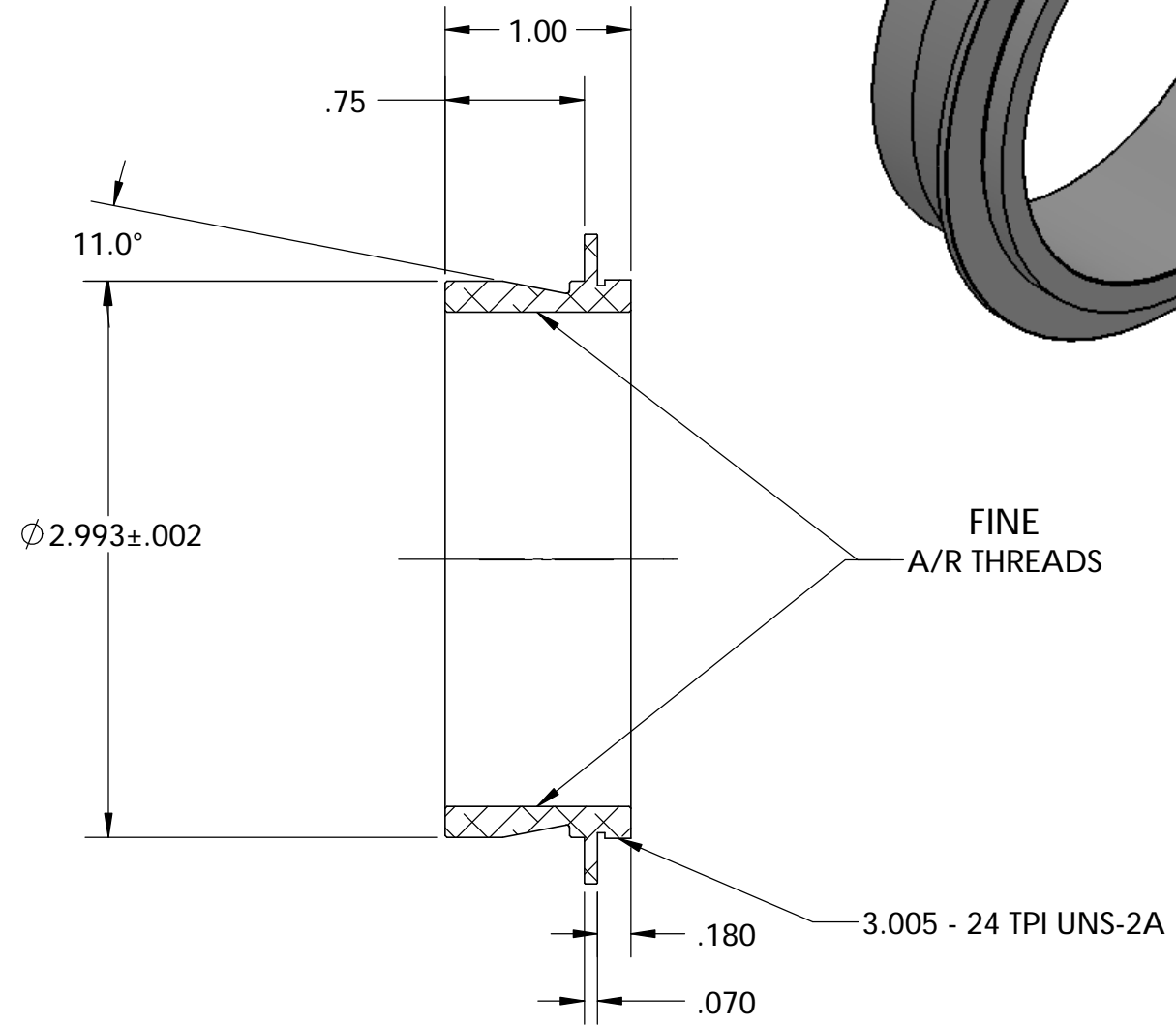
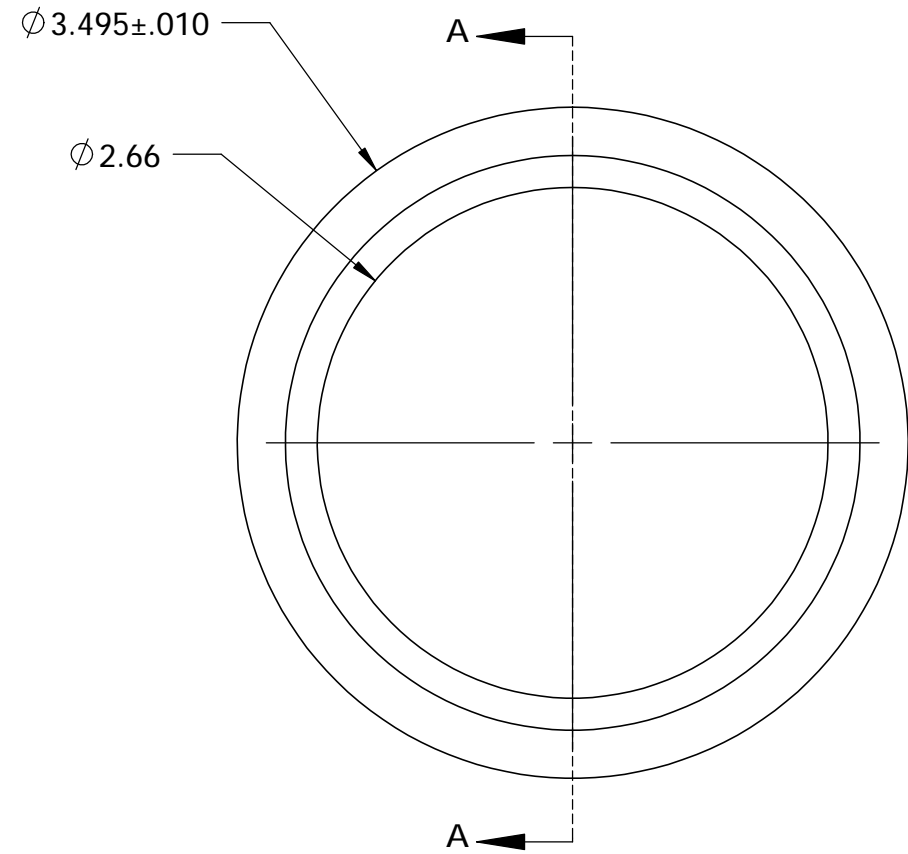


PN 4998
 STK NO 17833



SECTION A-A

UNLESS OTHERWISE SPECIFIED:		NAME	DATE	Optec Inc.		
DIMENSIONS ARE IN INCHES		DRAWN	LD			01/16/09
TOLERANCES:		CHECKED		TITLE:		
ANGULAR: ± 1		ENG APPR.		3" TO FLI CFW 3" THR		
TWO PLACE DECIMAL $\pm .007$		MFG APPR.				
THREE PLACE DECIMAL $\pm .003$		Q.A.		SIZE	DWG. NO.	REV
MATERIAL		Contract		B	17-06699	1.0
6061-T6		3-INCH ADAPTERS		SCALE: 1:1	WEIGHT:	SHEET 1 OF 1
FINISH						
Satin Etch Black						
DO NOT SCALE DRAWING						

