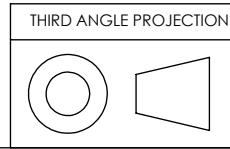
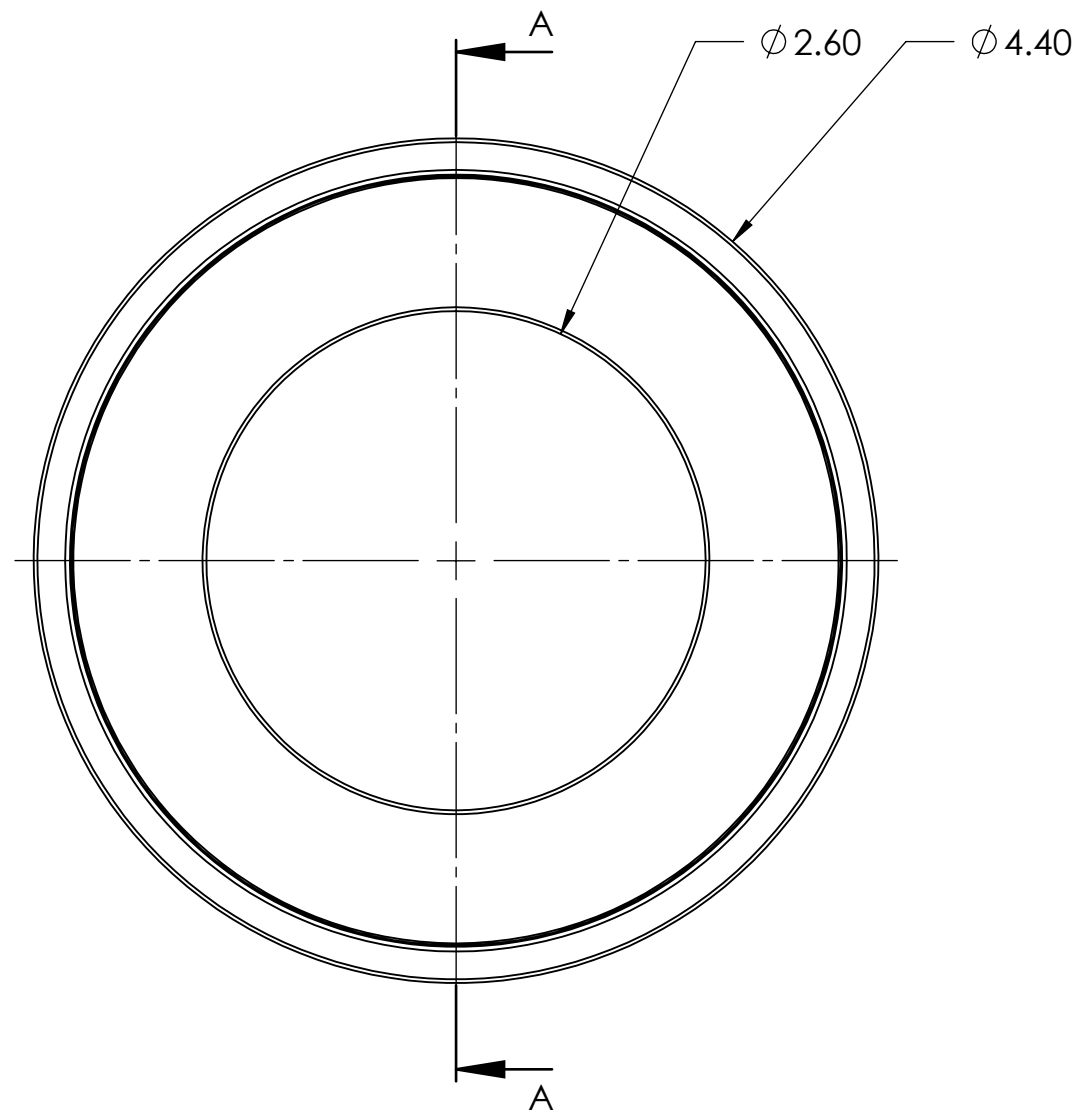
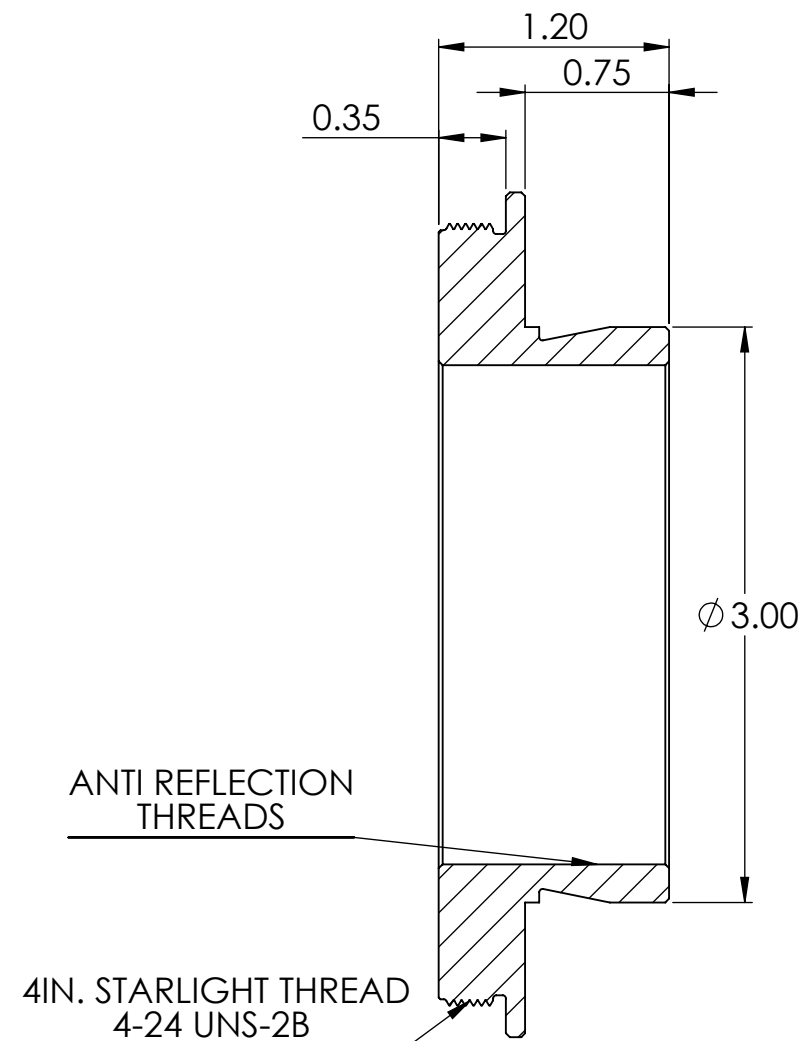


STK. NO. 17816



UNLESS OTHERWISE SPECIFIED: DIMENSIONS ARE IN INCHES TWO PLACE DECIMAL ±.007 THREE PLACE DECIMAL ±.003	DRAWN	BC	03/07/2017	<b>Optec Inc.</b>
	CHECKED			
	ENG APPR.			
	MFG APPR.			
MATERIAL	6061-T6			TITLE: 3IN. TO STARLIGHT INS. 4.1-24 MOUNT
FINISH	SEE NOTES			SIZE DWG. NO. <b>B</b> 17-06675
DO NOT SCALE DRAWING	CONTRACT OPTEC-3000			SCALE: 1:2 WEIGHT: SHEET 1 OF 1