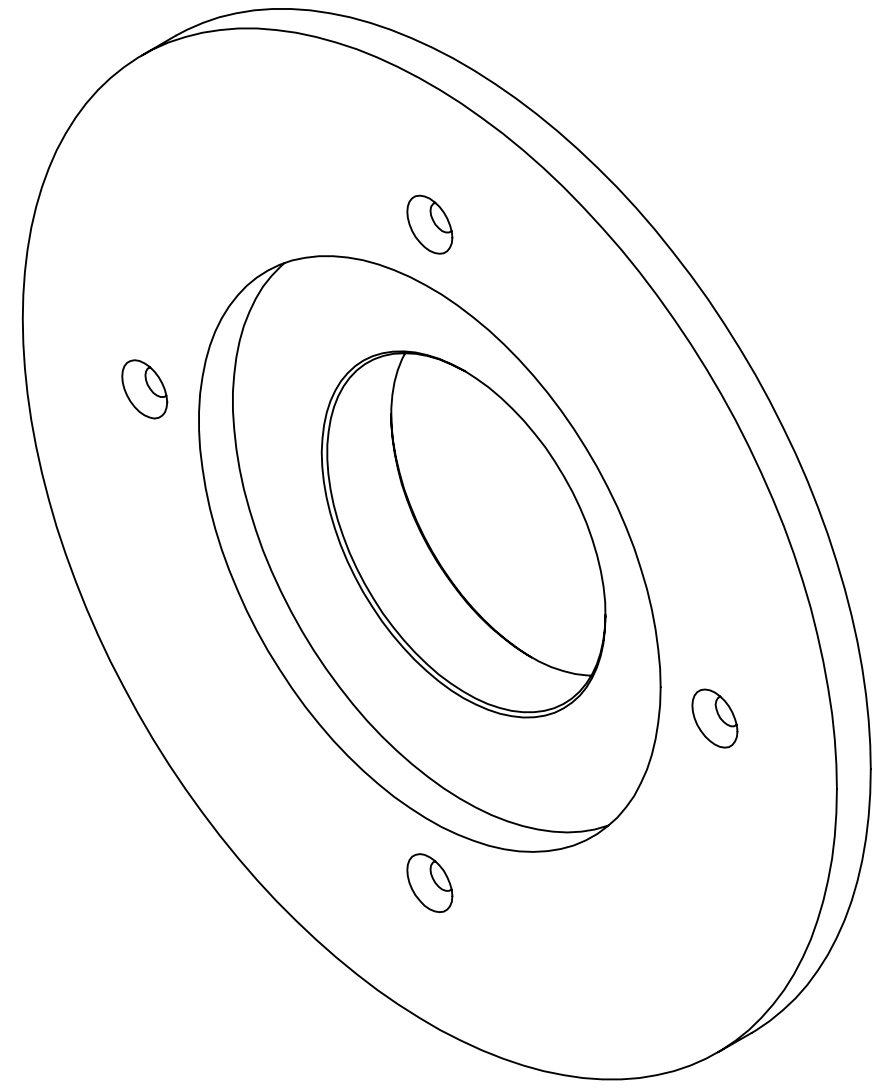
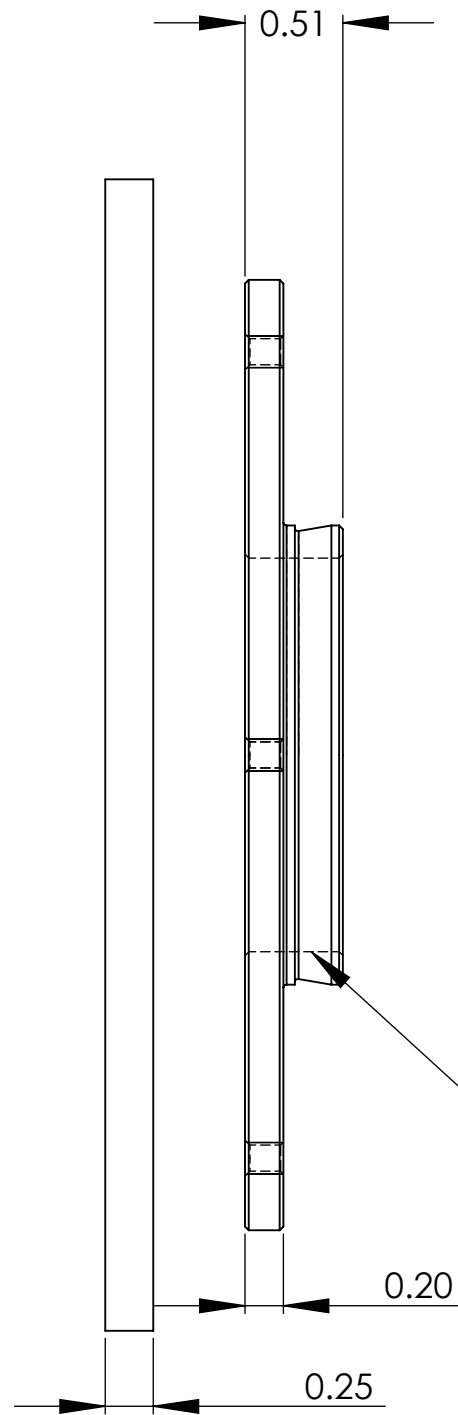
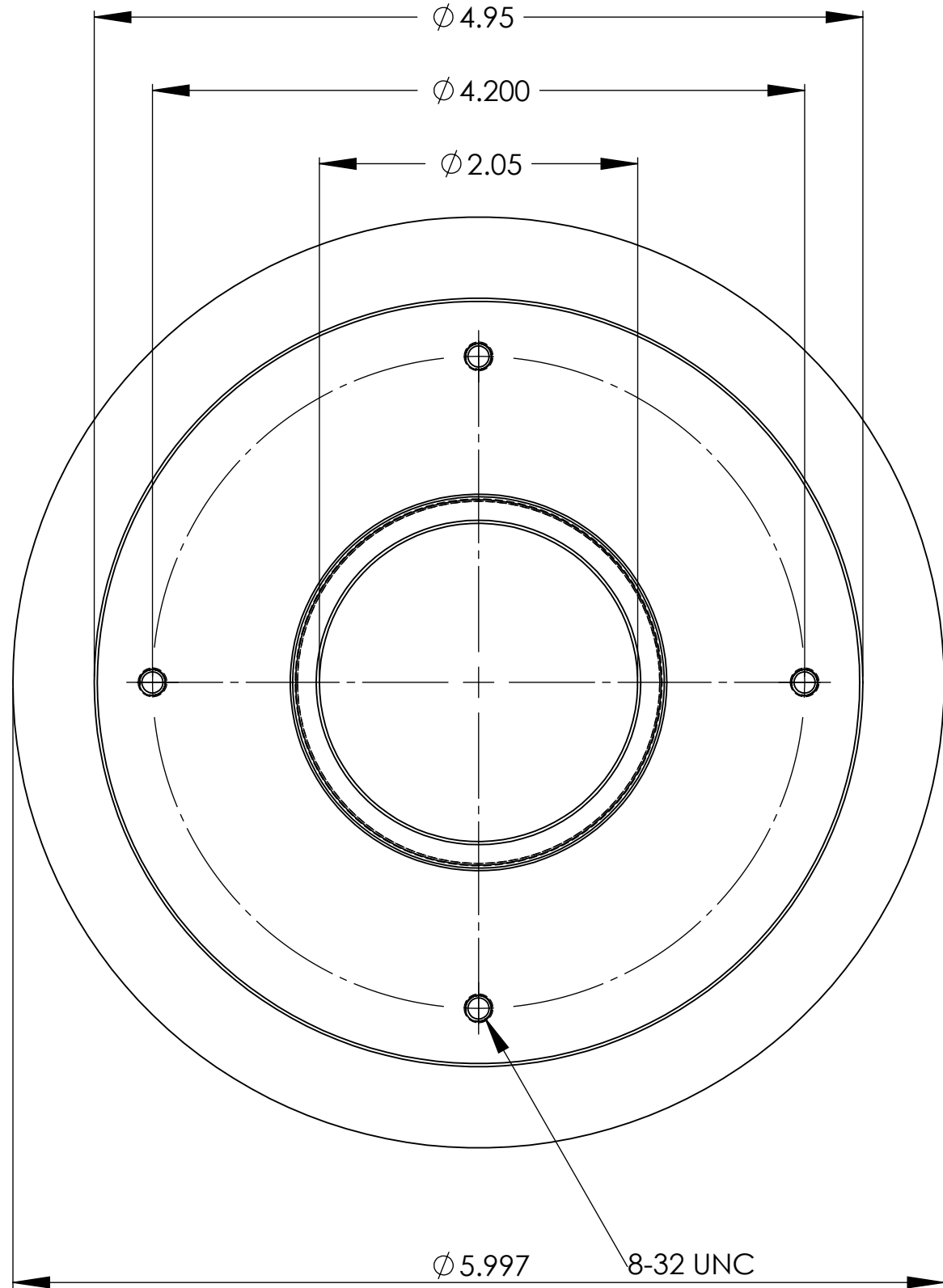


STK. NO. 17417



ANTI-REFLECTION THRD.

UNLESS OTHERWISE SPECIFIED: DIMENSIONS ARE IN INCHES TOLERANCES: FRACTIONAL \pm ANGULAR: MACH \pm BEND \pm TWO PLACE DECIMAL $\pm .007$ THREE PLACE DECIMAL $\pm .003$	DRAWN	NAME	DATE	Optec, Inc. TITLE: UNIVERSAL MOUNT
	CHECKED	LD	09/30/09	
	ENG APPR.			
	MFG APPR.			
		Q.A.		
	CONTRACT			
	6061-T6			
	FINISH SATIN ETCH BLACK			
	DO NOT SCALE DRAWING			
	OPTEC-2400			
	SIZE	DWG. NO.		
	B	17-06679		
	SCALE: 1:1	WEIGHT:		SHEET 1 OF 1

